






-  Non-pressure hygienic access covers
-  Trappes aseptiques sans pression
-  Drucklose Domdeckel, steril
-  Bocas de hombre asépticas sin presión
-  Chiusino circolare



- ◆ 7011 219
- ◆ 7011 300
- ◆ 7011 350
- ◆ 7011 400
- ◆ 7011 430
- ◆ 7011 450
- ◆ 7011 500
- ◆ 7011 600

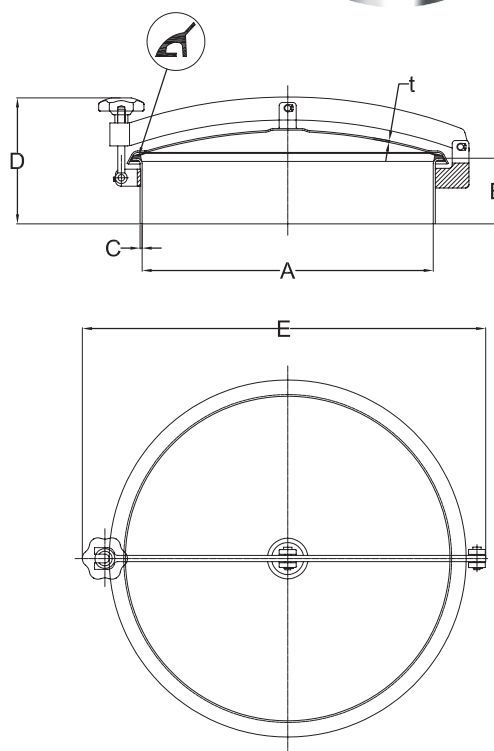


STANDARD SIZE/* At temperature 50°C / 122 °F

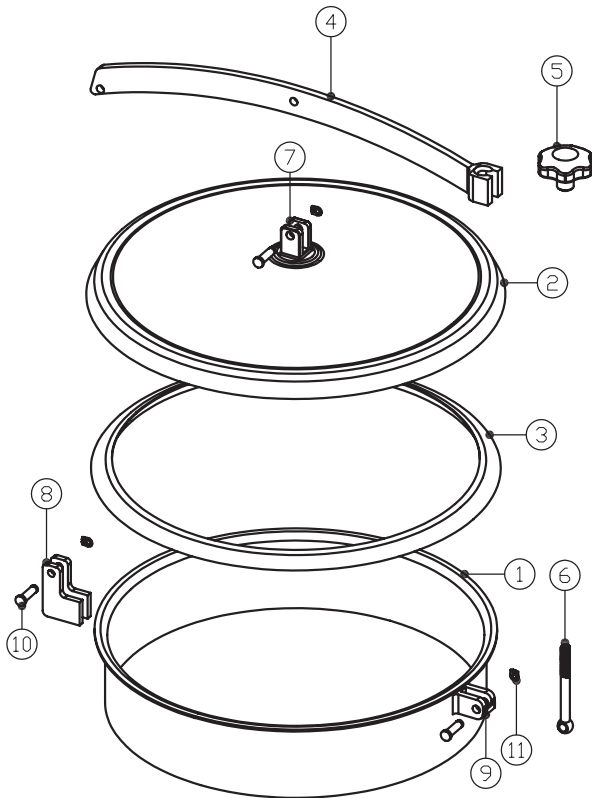
CODE	A	OD×C	B	T	P.MAX
	mm	mm	mm	mm	bar
7011 219	214	219×2.5	100	2.0	0.2
7011 300	294	300×3.0	100	2.5	0.18
7011 350	344	350×3.0	100	2.5	0.15
7011 400	394	400×3.0	100	2.5	0.12
7011 430	424	430×3.0	100	2.5	0.1
7011 450	444	450×3.0	100	2.5	0.1
7011 500	494	500×3.0	100	2.5	0
7011 600	594	600×3.0	100	2.5	0

IF YOU WANT TO CHECK FOR MORE DETAILS
PLEASE CHECK THE FOLLOWING DRAWING

*1BAR ≈ 14.5PSI=0.1MPA



NPDC Parts Drawing



GASKET

Part No.	Material	Color
7010-01 1	Silicon	White
7010-01 2	EPDM	Black
7010-01 3	FPM	Black

Item	Description	Material	Qty
1	Frame	1.4301/1.4404	1
2	Cover	1.4301/1.4404	1
3	Gasket	Silicon	1
4	Bracket	304	1
5	Handle	Plastic/T304	1
6	Swing bolt	T304	1
7	Up hinge Support	T304	1
8	Back hinge Support	T304	1
9	Front hinge Support	T304	1
10	Pin	T304	3
11	Lock ring	T304	3

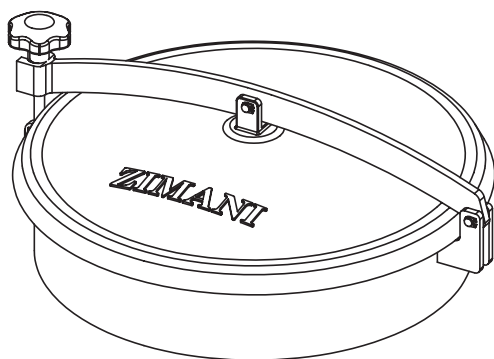
NPDC Technology

TECHNICAL DATA

Working pressure:Acc. to table standard size.

Certificates

EN10204. 3.1 certificate



Options

Stainless Steel Finishes

POLISHED WITH RA (μ)

BEAD BLASTED

PICKLED : ON REQUEST

ELECTRO POLISHED

Cover & Frame Range

Cover Thickness	Frame/Neck Height
2.0mm	85mm (3.35")
2.5mm	100mm (3.94")
3.0mm	120mm (4.72")
	150mm (5.91")
	200mm (7.76")
	250mm (9.85")

Note: Longer heights are also available.