



APPLICATION:

Observation and illumination of the interior of closed vessels (boilers, tanks, silos, etc.). Type 323 sightglasses are suitable for **higher temperatures** than 200°C specified in DIN 28121 due to the use of suitable materials. Just like the Type 321 according to DIN 28121, the sealing method corresponds to the **force shunt**.

INSTALLATION NOTE:

Gaskets suitable for the sealing surfaces should be used. The screw material should be equivalent to or higher than those of the sight glass body. Always use screws that match the hole pattern. If possible, the screw thread and the screw head should be lubricated.

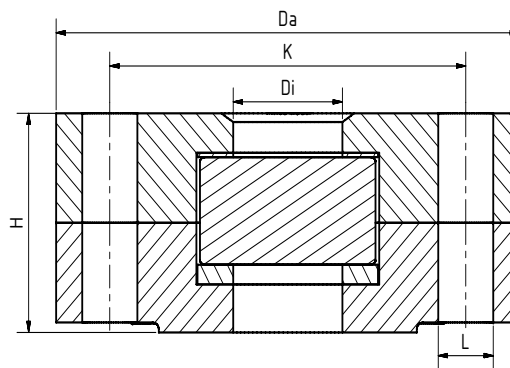
Similar to DIN 28121
($\Delta P \leq 10 / 25$ bar)

Operating conditions:

Temperature: (depending on glass and gasket)	bis zu 400 °C ¹
---	----------------------------

Pressure:	≤ 10 / 25 Bar
-----------	---------------

¹ higher see Type 326



Materials:

Flange:	1.4571; 1.4404; 1.4541; 2.4602; 2.4605
Glass:	Borosilicate glass DIN 7080 Quartz glass Sapphire glass
Gasket:	Graphite composite gasket
Screws:	A4/80, 1.4980, 1.4845, 1.4828, 1.4821, 1.4762

Special materials on request

DN	40	50	80	100	125	150	200
Di	48	65	80	100	125	125	150
H (PN10)	36	38	46	46	54	54	54
H (PN25)	38	41	50	59	66	66	66
Da	According to DIN EN 1092-1						
L							
K							
Other sizes on request							



Round sight glass fitting PN 10 / 25

Flange mounting similar to DIN 28121

Type 323

PRODUCTCODE:

Group	TYPE	PN	DN	Flange	Glass	Gasket	Variant
11	323	1: 10 2: 25	40 50 80 100 125 150 200	1: 1.4571 2: 1.4541 3: 1.4404 6: 2.4602 7: 2.4605 8: Special	1: Borosilicate glass (Boro) DIN 7080 3: Quartz glass 8: Borosilicate glass untempered 9: Sapphire glass	7: Graphite 8: Special	Assigned by ACI if required

INFO: Unless otherwise stated, the factory standard highlighted is supplied.

SPECIAL DESIGNS/OPTIONS:

- a) LED or halogen lamps, ATEX-certified, EX
- d) Additional options on request

EXAMPLE:

11-323-1-100-1-1-7-0 equals the product code:

ACI Type 323

PN10

DN100

flanges 1.4571

borosilicate glass

Graphite composite gasket

standard version

ATTENTION!

The pressure-temperature limits according to DIN EN 1092-1 apply!

Our tool of the same name is available on our website for this purpose.

(www.ACI24.com, in the category Service, Tools)



RECOMMENDATION:

For aggressive media or steam, mica discs should be used to protect the glass.

Kontakt w Niemczech
ACI Industriearmaturen GmbH
Tel. +49 (0) 2403 748 850
info@aci24.com • www.aci24.com

Kontakt w Polsce:
Continental Trade Sp. z o.o.
tel. +48 22 670 11 81
office@continentaltrade.com.pl
<http://continentaltrade.com.pl>

20200210

Technical changes and errors reserved!