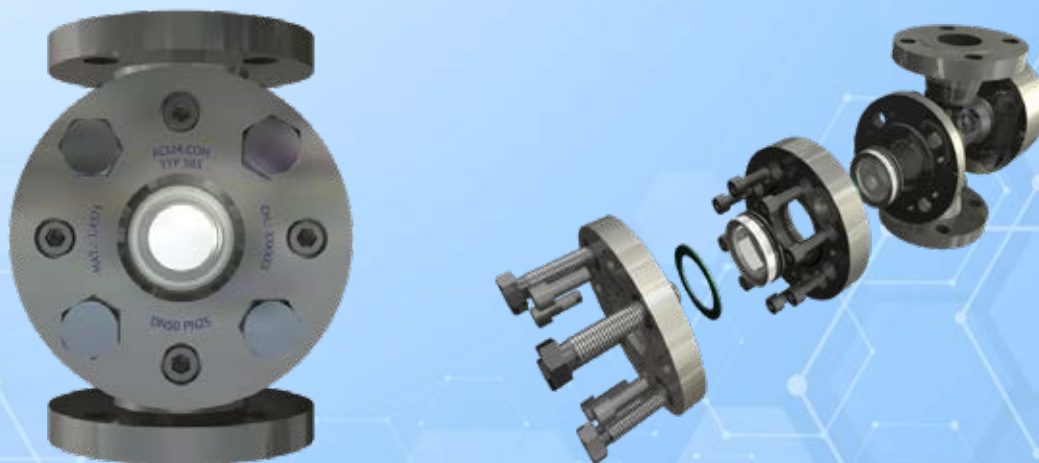




Flow sight glass PN 10 to PN 25

Safety double glazing in force shunt, Flange connections

Type 585



APPLICATION:

For observation of filling and flow in pipelines. This sight glass allows reliable monitoring of the function and performance of individual equipment as well as entire installations.

The Type 585 sealing is designed to allow the full operating pressure of each sight glass plate to be maintained in the event of glass breakage. Due to the safety double glazing, this is a genuine safety design.

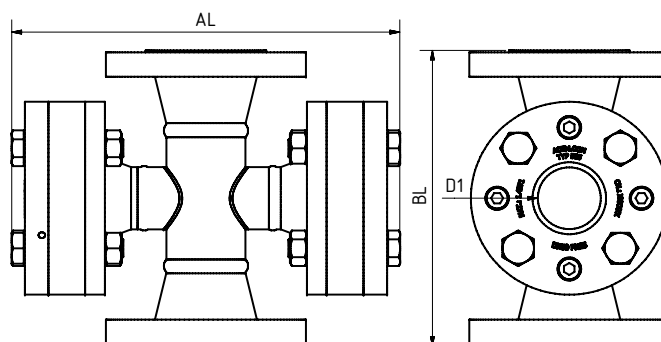
INSTALLATION NOTE:

Gaskets suitable for the sealing surfaces should be used. The screw material should be equivalent to or higher than those of the sight glass body. Always use screws that match the hole pattern. If possible, the screw thread and the screw head should be lubricated.

Safety double glazing with flange connections according to DIN 1092-1 ($\Delta P \leq 10 / 16 / 25$ bar)

Operating conditions:

Temperature: (depending on glass and gasket)	150°C 200 °C ¹	
Pressure:	≤ 10 to 25	Bar
higher on request		



Materials:

Body:	1.4571; 1.4539; 1.4404
Glass:	Borosilicate glass DIN 7080 Soda lime glass DIN 8902 Quartz glass Mica
Gasket:	PTFE enclosed resilient gasket
Screws:	A4-70
Special materials on request	

DN	50	80	100	125	150	200	250	300	350	400
BL	230	310	350	400	480	600	730	850	980	1100
D1	48	65	80	100	125	125	150	150	150	150
AL	on request or special dimensions									
¹ limited by gasket										
Dimensions correspond to PN 16, other pressure ratings may vary										
Other sizes and flange standards on request										



Flow sight glass PN 10 to PN 25

Safety double glazing in force shunt, Flange connections

Type 585

PRODUCTCODE:

Group	TYPE	DN	PN	Body*	Glass	Gasket	Variant
11	585	1: 50 2: 80 3: 100 4: 125 5: 150 6: 200 7: 250 8: 300 9: 350 10: 400 11: Special	0: 10 1: 16 2: 25 5: Special	1: 1.4571 2: 1.4404 3: 1.4539 4: Special	1: Borosilicate glass (Boro) DIN 7080 2: Soda lime glass (NKG) DIN 8902 3: Quarzglas 4: Boro + Glimmer 6: META®-Glas	1: PTFE 8: Special	Assigned by ACI if required

INFO: Unless otherwise stated, the factory standard highlighted is supplied.

* Cover flanges made of body material or according to quotation / order confirmation

SPECIAL DESIGNS/OPTIONS:

- a) Single glazing force shunt (Type 580)
- b) Mica protection
- (c) FEP protective screen
- d) LED or halogen lights, ATEX-certified, EX
- e) Additional options on request

EXAMPLE:

11-585-10-1-1-1-00 equals the product code:

ACI Type 585
DN400
PN16
body 1.4571
borosilicate glass
gasket PTFE
standard version

ATTENTION!

The pressure-temperature limits according to DIN EN 1092-1 apply!

Our tool of the same name is available on our website for this purpose.

(www.ACI24.com, in the category Service, Tools)



RECOMMENDATION:

For aggressive media or steam, mica discs should be used to protect the glass.

Kontakt w Niemczech
ACI Industriearmaturen GmbH
Tel. +49 (0) 2403 748 850
info@aci24.com • www.aci24.com

Kontakt w Polsce:
Continental Trade Sp. z o.o.
tel. +48 22 670 11 81
office@continentaltrade.com.pl
<http://continentaltrade.com.pl>

20191108

Technical changes and errors reserved!