



APPLICATION:

Round sight glass fittings are used for observation and illumination of the interior of closed vessels (boilers, tanks, silos, etc.).

Sight glass fittings type 321 are round flanged sockets according to DIN 28121 for screwing onto flanges, each completed with a sight glass plate inserted between the gaskets and screwed firmly.

Sealing is provided by a flexible gasket, with [metal to metal contact type flanged joint](#) ensuring the necessary compression.

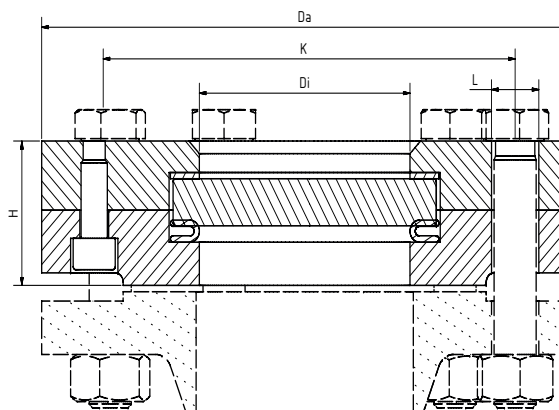
INSTALLATION NOTE:

Gaskets matching the gasket surfaces should be used. The screw material should be of equal or higher quality than the sight glass flanges. Always use screws that are suitable according to the applicable standards. If possible, the screw thread and the screw head should be provided with screw lubrication.

According to
DIN 28121

Operating conditions:

Temperature:	up to 200 °C ¹ with Borosilicate glass according to DIN 7080
Pressure:	≤ 10 / 25 Bar
¹ limited by gasket; for higher temperatures alternative: Type 323	



Materials:

Flange:	1.4571; 1.4541; 1.4404; 1.4301/7
Glass:	Borosilicate glass DIN 7080
Gasket: ²	PTFE enclosed resilient gasket
Screws:	A4-80
Special materials on request ² see INFO gaskets-leaflet	

DN	40	50	80	100	125	150	200
Di [mm ⁹]	48	65	80	100	125	125	150
H (PN10) [mm]	36	38	46	46	54	54	54
H (PN25) [mm]	38	41	50	59	66	66	66
Da	According to DIN EN 1092-1						
L							
K							
Wt. [kg] (PN10)	3,8	4,6	8,2	9,3	13,8	29,5	28,7
Wt. [kg] (PN25)	4	5	8,9	14	20	26,9	39,3

PRODUCTCODE:

Group	TYPE	PN	DN	Base flange*	Glass	Gasket	Variant
11	321	1: 10 2: 25	40 50 80 100 125 150 200	1: 1.4571 2: 1.4541 3: 1.4404 5: 1.4301/7 10: Special	1: Borosilicate glass (Boro) DIN 7080 2: Soda-lime glass (SLG) DIN 8902 4: Boro DIN 7080 + PTFE - wiper SGW 5: Boro DIN 7080 + Silicone - wiper SGW 6: SLG DIN 8902 + PTFE - wiper SGW 7: SLG DIN 8902 + Silicone - wiper SGW	1: PTFE	Assigned by ACI if required

INFO: Unless otherwise stated, the factory standard highlighted is supplied.

SPECIAL DESIGNS/OPTIONS:

- Wiper SGW with PTFE or silicone Wiper blade
- Spray device SVII
- LED lights, for EX- and Non-EX areas
- High-temperature version (Type 323)
- Vacuum version (Typ 324) ³
- FEP protectiv screen (for high pH-values)
- Mica protection

³ depending on environmental variables

EXAMPLE:

11-321-1-100-1-1-1-000 equivalent to:

ACI Type 321

PN 10

DN 100

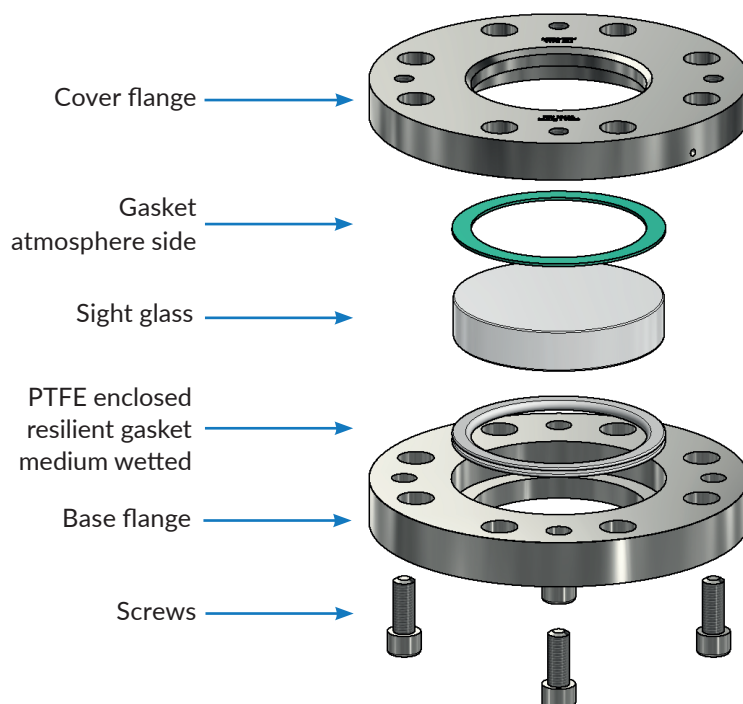
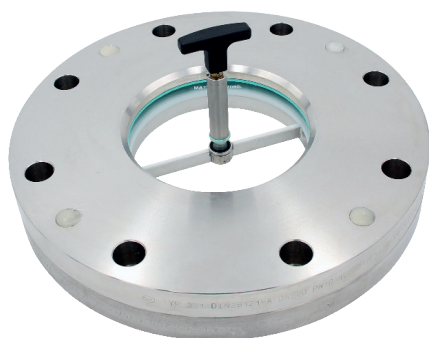
Base flanges made of 1.4571

Cover flange made of 1.4571

Borosilicate glass

PTFE enclosed resilient gasket

Standard version



RECOMMENDATION:

For aggressive media or steam, mica discs should be used to protect the glass.

20220518

Technical changes and errors reserved!

