






-  Round manhole cover with back-side opening
-  Trappe RONDE avec ouverture par renversement
-  Runder Domdeckel, nach außen öffnend
-  Tapa circular con apertura vertical
-  Chiusino circolare apertura a ribaltamento



- ◆ 7017 350
- ◆ 7017 400
- ◆ 7017 430
- ◆ 7017 450
- ◆ 7017 500
- ◆ 7017 600

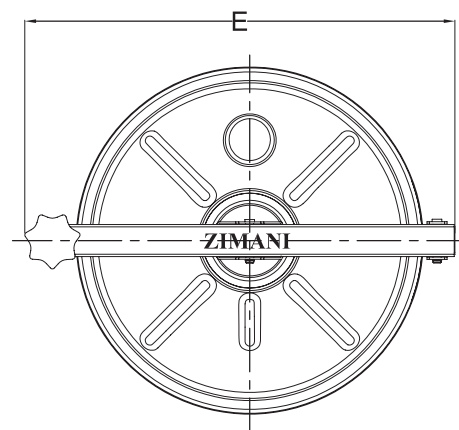
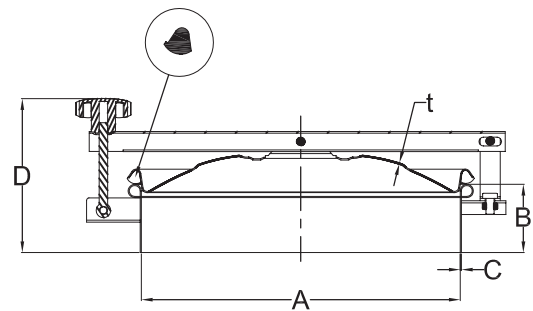


**STANDARD SIZE/\*** At temperature 50°C /122 °F

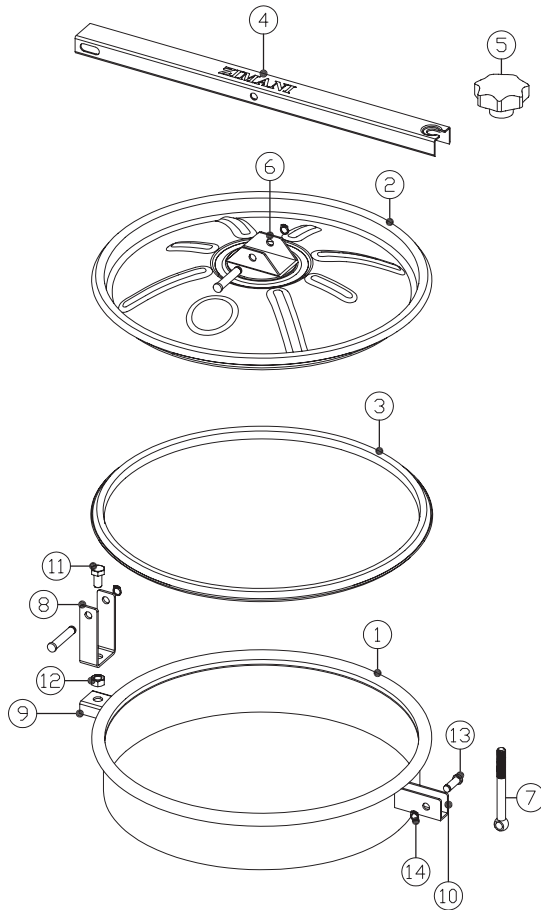
CODE	A	OD×C	B	T	P.MAX
	mm	mm	mm	mm	bar
7017 350	346	350×2.0	85	2.0	0.3
7017 400	396	400×2.0	85	2.0	0.2
7017 430	426	430×2.0	85	2.0	0.15
7017 450	446	450×2.0	85	2.0	0.12
7017 500	496	500×2.0	85	2.0	0.07
7017 600	596	600×2.0	85	2.0	0

IF YOU WANT TO CHECK FOR MORE DETAILS  
PLEASE CHECK THE FOLLOWING DRAWING

\*1BAR =14.5PSI=0.1MPA



## SERC Parts Drawing



### GASKET

Part No.	Material	Color
7010-03 1	Silicon	White
7010-03 2	EPDM	Black
7010-03 3	FPM	Black

Item	Description	Material	Qty
1	Frame	1.4301/1.4404	1
2	Cover	1.4301/1.4404	1
3	Gasket	Silicon	1
4	Bracket	304	1
5	Handle	Plastic/T304	1
6	Up hinge support	T304	1
7	Swing bolt	T304	1
8	Back hinge support	T304	1
9	Back hinge support	T304	1
10	Front hinge support	T304	1
11	Screw	T304	1
12	Nut	T304	1
13	Pin	T304	3
14	Lock ring	T304	3

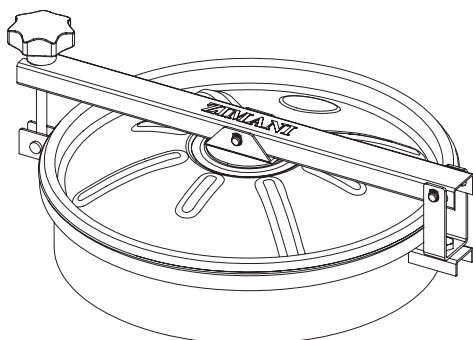
## SERC Technology

### TECHNICAL DATA

Working pressure: . . . . . Acc. to table standard size.

### Certificates

3.1 certificate



## Options

### Stainless Steel Finishes

POLISHED WITH RA ( $\mu$ )

BEAD BLASTED

PICKLED : ON REQUEST

ELECTRO POLISHED

### Cover & Frame Range

Cover Thickness	Frame/Neck Height
2.0mm	85mm (3.35")
2.5mm	100mm (3.94")
	120mm (4.72")
	150mm (5.91")
	200mm (7.76")
	250mm (9.85")

Note: Longer heights are also available.