






-  Round manwaydoor, opening outwards
-  Porte ronde avec ouverture à l'extérieur
-  Runder Mannlochtür, schwenkbar nach außen (außenöffnung)
-  Puerta circular de apertura externa
-  Portella circolare ad apertura esterna



- ◆ 7018 350
- ◆ 7018 400
- ◆ 7018 430
- ◆ 7018 450
- ◆ 7018 500
- ◆ 7018 600

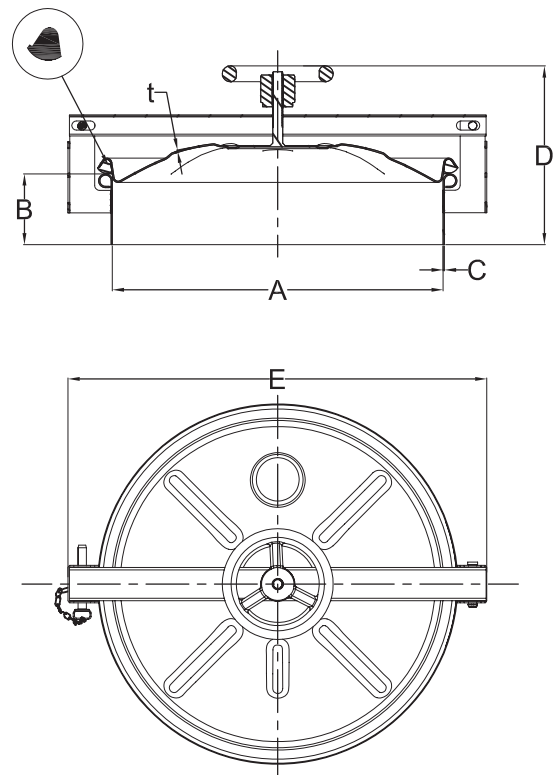


STANDARD SIZE/* At temperature 50°C /122 °F

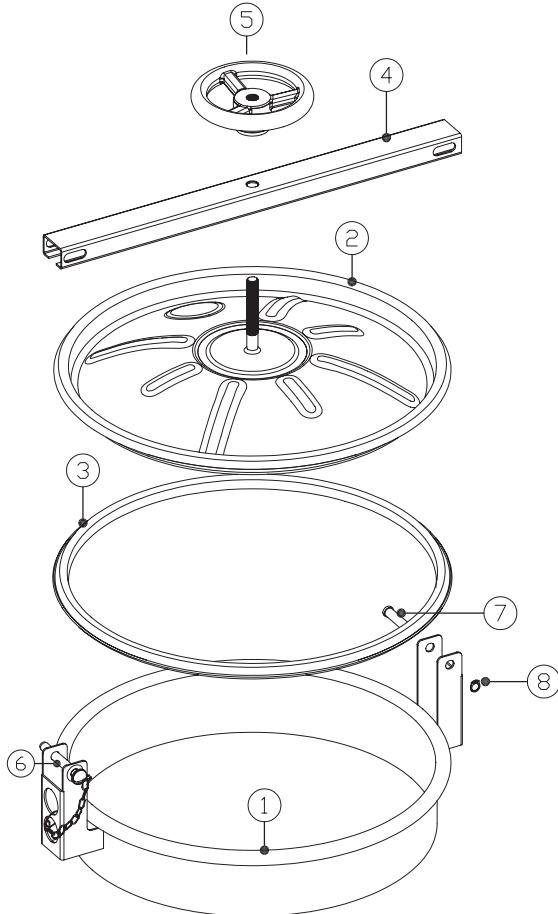
CODE	A	OD×C	B	T	P.MAX
	mm	mm	mm	mm	bar
7018 350	346	350×2.0	85	2.0	0.2
7018 400	396	400×2.0	85	2.0	0.15
7018 430	426	430×2.0	85	2.0	0.15
7018 450	446	450×2.0	85	2.0	0.1
7018 500	496	500×2.0	85	2.0	0.1
7018 600	596	600×2.0	85	2.0	0

IF YOU WANT TO CHECK FOR MORE DETAILS
PLEASE CHECK THE FOLLOWING DRAWING

*1BAR ≈14.5PSI=0.1MPA



SERD Parts Drawing



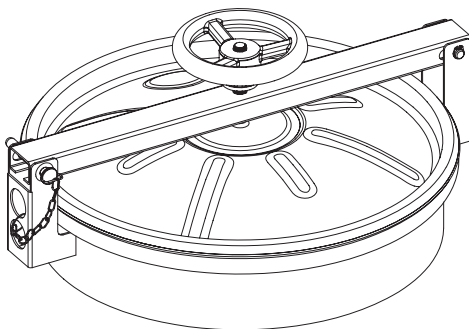
SERD Technology

TECHNICAL DATA

Working pressure:Acc. to table standard size.

Certificates

3.1 certificate



GASKET

Part No.	Material	Color
7010-03 1	Silicon	White
7010-03 2	EPDM	Black
7010-03 3	FPM	Black

Item	Description	Material	Qty
1	Frame	1.4301/1.4404	1
2	Cover	1.4301/1.4404	1
3	Gasket	Silicon	1
4	Bracket	304	1
5	Hand wheel	Plastic/T304	1
6	Pin Lock	T304	1
7	Pin	T304	1
8	Lock ring	T304	1

Options

Stainless Steel Finishes

POLISHED WITH RA (μ)

BEAD BLASTED

PICKLED : ON REQUEST

ELECTRO POLISHED

Cover & Frame Range

Cover Thickness	Frame/Neck Height
2.0mm	85mm (3.35")
2.5mm	100mm (3.94")
	120mm (4.72")
	150mm (5.91")
	200mm (7.76")
	250mm (9.85")

Note: Longer heights are also available.