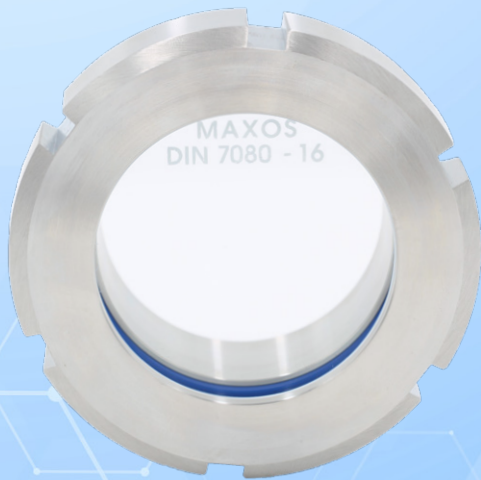




Screwed sight glass PN 10

Welding in or on similar to DIN 11851 / EN 10357

Type 327



APPLICATION:

Screw sightglass fittings are used to observe processes inside boilers, vessels and pipelines. Their applications are in the food industry, dairies, breweries, beverage industry and in pharmaceutical and medical technology. Due to the high permissible temperatures, sterilisation is possible.

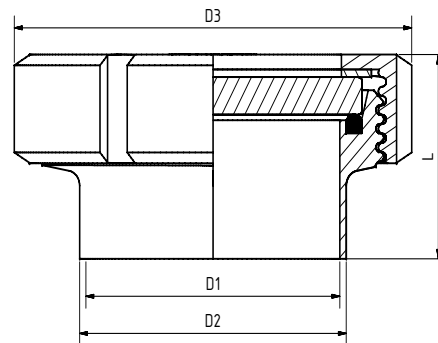
INSTALLATION NOTE:

When welding in the threaded connection, ensure distortion-free installation! Welding work must be carried out by trained and authorised personnel. With proper installation, a degree of protection of IP65 according to EN 60 529 / DIN VDE 0470 Part 1 (dust-tight and protected against water jets) is achieved.

Similar to
DIN 11851 / EN 10357
($\Delta P \leq 10$ bar)
($\Delta P \leq 6$ bar with wiper)

Operating conditions:

Temperature: (depending on glass and gasket)	220 °C	
Pressure:	≤ 10	Bar
Pressure with wiper:	≤ 6	Bar
Vacuum	1.3	mBar



Materials:

Flange:	1.4404; 1.4301; 1.4307
Glass:	Borosilicate glass DIN 7080 Soda lime glass DIN 8902
Gasket:	PTFE; NBR; FKM; Silicone; EPDM
Special materials on request	

DN	25	32	40	50	65	80	100	125	150
D1	26	32	38	50	66	81	100	125	150
D2	29	35	41	53	70	85	104	129	154
D3	63	70	78	92	112	127	148	178	210
L	37	40	41	43	48	54	64	58	60
kg	0.31	0.40	0.50	0.70	1.10	1.61	2.27	3.10	5.30

Surface inside $Ra \leq 0.8 \mu m$



Screwed sight glass PN 10

Welding in or on similar to DIN 11851

Type 327

PRODUCTCODE:

Group	TYPE	DN	Socket/ slotted nut*	Glass	Gasket	Variant
11	327	25	1: 1.4404	1: Borosilicate glass (Boro) DIN 7080	1: PTFE	Assigned by ACI if required
		32	2: 1.4301	3: Boro + PTFE wiper	2: FKM	
		40		5: Boro + silicone wiper	3: NBR	
		50			5: Silicone	
		65			6: EPDM	
		80			8: Special	
		100				
		125				
		150				

INFO: Unless otherwise stated, the factory standard highlighted is supplied.

*Slot nut according to quotation / order actuation.

SPECIAL DESIGNS/OPTIONS:

- a) Wiper SWI with PTFE or silicone wiper blade
- b) LED or halogen lights, ATEX-certified, EX
- c) FEP protective screen

EXAMPLE:

11-327-100-1-1-2-000 equals the product code:

ACI Type 327
DN100
Socket 1.4404
borosilicate glass
gasket FKM
standard version



RECOMMENDATION:

For aggressive media or steam, mica discs should be used to protect the glass.

Contact in Germany:
ACI Industriearmaturen GmbH
Tel. +49 (0) 2403 748 850
info@aci24.com • www.aci24.com

Contact in Poland:
Continental Trade Sp. z o.o.
office@continentaltrade.com.pl
http://continentaltrade.com.pl

20190917

Technical changes and errors reserved!