






-  Round autoclave manlids
-  Portes autoclaves rondes
-  Runde Autoklaventüren
-  Puertas autoclaves redondas
-  Chiusino circolare



- ◆ 7025 430
- ◆ 7025 450
- ◆ 7025 500
- ◆ 7025 600

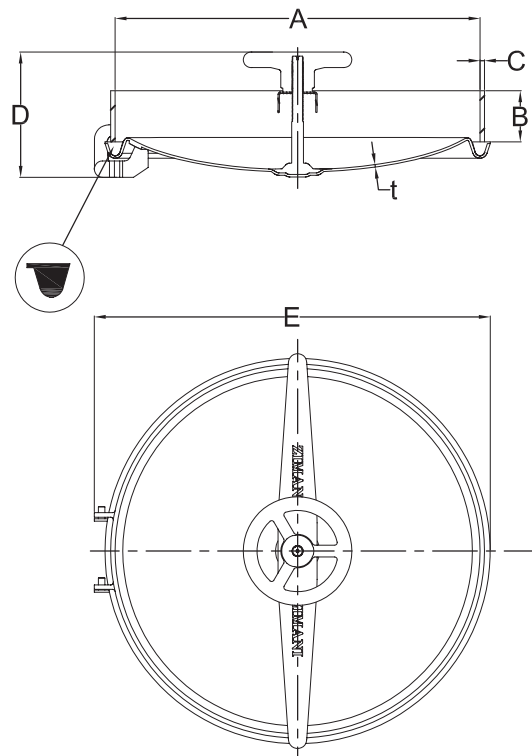


## STANDARD SIZE/\* At temperature 50°C /122 °F

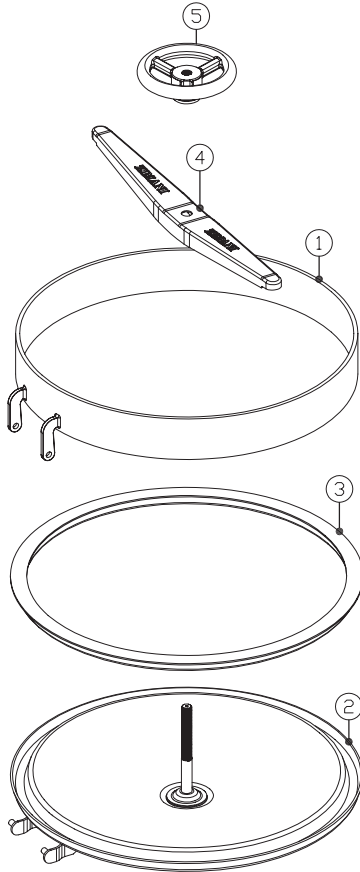
CODE	A	OD×C	B	T	P.MAX
	mm	mm	No. of	mm	bar
7025 430	420	430×5.0	100	3.0	0.12
7025 450	440	450×5.0	100	3.0	0.11
7025 500	490	500×5.0	100	3.0	0.1
7025 600	590	600×5.0	100	3.0	0

IF YOU WANT TO CHECK FOR MORE DETAILS  
PLEASE CHECK THE FOLLOWING DRAWING

\*1BAR ≈14.5PSI≈0.1MPA



## CIWD Parts Drawing



### GASKET

Part No.	Material	Color
7010-05 1	Silicon	White
7010-05 2	EPDM	Black
7010-05 3	FPM	Black

Item	Description	Material	Qty
1	Frame	1.4301/1.4404	1
2	Cover	1.4301/1.4404	1
3	Gasket	Silicon	1
4	Bracket	T304	1
5	Handle	Plastic/T304	1

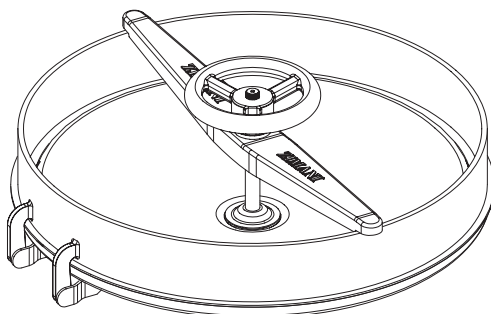
## CIWD Technology

### TECHNICAL DATA

Working pressure: . . . . . Acc. to table standard size.

### Certificates

EN10204. 3.1 certificate



## Options

### Stainless Steel Finishes

POLISHED WITH RA ( $\mu$ )

BEAD BLASTED

PICKLED : ON REQUEST

ELECTRO POLISHED

### Cover & Frame Range

Cover Thickness	Frame/Neck Height
2.0mm	85mm (3.35")
2.5mm	100mm (3.94")
3.0mm	120mm (4.72")

Note: Longer heights are also available.