

Application:

For Liquid Level display, visual checkup and observation on vessels, boilers and silos at pressures up to 35 bar and high temperatures.

The connections sockets with $\varnothing 20 \times 2,6$ mm are mounted on the back side of the sight glass. Other diameters available on request.

**Operating pressure:
Up to 35 bar**

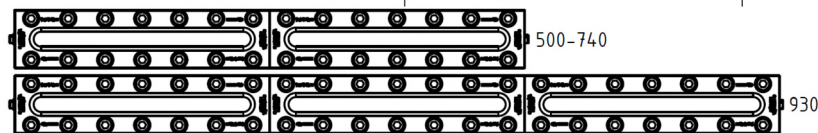
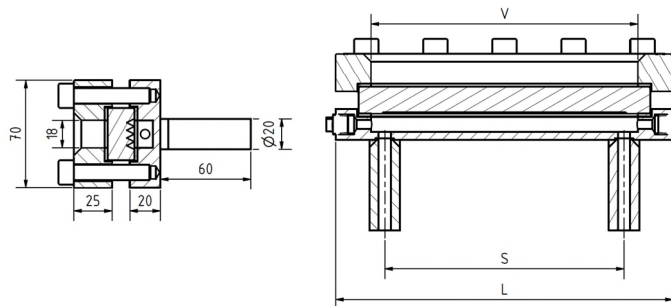
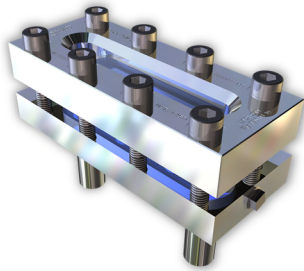
Operating conditions:

Temperature:	243	°C
Pressure:	16	Bar
	35	Bar

Materials:

Flange:	1.4571
Glass:	Borosilicate glass DIN 7081 (Reflex or Transparent)
Seal:	C4400 Graphite PTFE NBR Viton

Other materials on request



L	170	220	250	310	370	500	620	740	930
V	124	174	204	264	324	454	574	694	884
S	106	156	186	246	306	436	556	676	866
Blocked View	0	0	0	0	0	1x46	1x46	1x46	2x46

Installation guideline:

After welding of the base flange, the sealing surface must be checked for deformations! Reworking may be required!

Technical changes and errors reserved!

 	<h1>Rectangular Sight Glass</h1> <h2>Level Indicator</h2> <p>With welding ends on the back</p>	<h1>Type</h1> <h1>333</h1>
--	--	----------------------------

Product Code:

		Inst. length	PN	Flange	Glass	Seal	Variants
11	333	Acc. To table	16 35	1: S235JRG 2: 1.4571 3: Base flange VA, Cover flange St. 4: Base flange St., Cover flange VA 5: Duplex	1: BS Transparent 3: BS Reflex	1: PTFE 2: FKM 3: NBR 4: C4400 5: Silicone 6: EPDM 7: Graphite 8: Special	Assigned by ACI as required

ACI Typ 333
220 mm
PN16

Example: Flansch 1.4571 11-333-16-220-2-1-1-000
Borosilicate glass transparent
Seal PTFE
Standard construction

Recommendation:
For corrosive media or steam, we recommend adding a mica disk to protect the glass!