

Oval Sight Glass

Rounded Ends

For welding

Type

337

Application:

For visual observation of fluid levels in vessels, boilers and silos.

**Operating pressure:
Up to 25 bar**

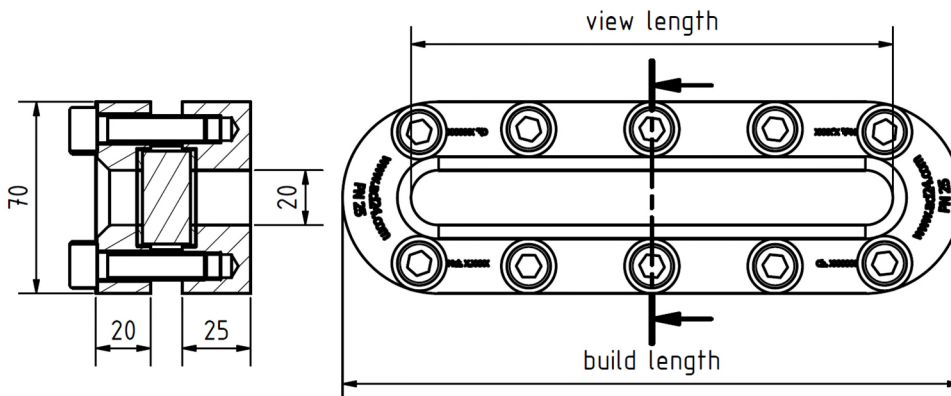
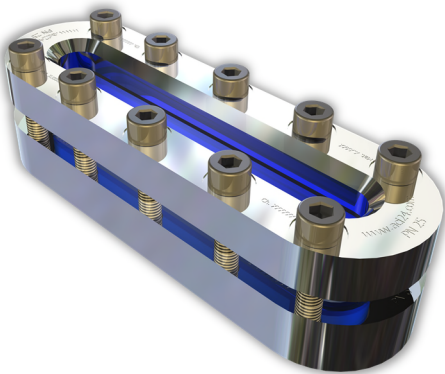
Operating conditions:

Temperature:	70	°C
(Depending on glass)	100	°C
	243	°C
Pressure:	25	Bar

Materials:

Flange:	S235JRG2 1.4571
Glass:	PMMA protrusion Soda Lime glass DIN 8903 Borosilicate glass DIN 7081
Seal:	C4400 Graphite PTFE NBR Viton

Other materials on request



Build length	176	226	256	316	376	436	496	536
View length	126	176	206	266	326	386	446	486
Kg	3.3	4.2	4.8	5.9	7.0	8.1	9.2	10.0

Installation guideline:

After welding the base flange onto/into the pressure vessel, the sealing surface must be checked for deformations! Reworking may be required!

The operating pressure does not relate to the base flange! The base flange must be audited according to AD 2000 guidelines together with the pressure vessel!

Technical changes and errors reserved!

 	<h1>Oval Sight Glass</h1> <h2>Rounded Ends</h2> <p>For welding</p>	<h1>Type</h1> <h1>337</h1>
--	--	----------------------------

Product code:

		Inst. length	Flange	Glass	Seal	Variants
11	337	Acc. To table	1: St. S235JRG 2: VA 1.4571 3: 1.4404 4: 1.4301 5: Base flange VA, Cover flange St. 6: Base flange St., Cover flange VA 7: Duplex	1: BS Transparent 2: SL Transparent 3: BS Reflex 4: SL Reflex 5: PMMA Stufenglas	1: PTFE 2: FKM 3: NBR 4: C4400 5: Silicone 6: EPDM 7: Graphite 8: Special	Assigned by ACI as required

ACI Type 337
 226 mm
 Flange 1.4571
 Borosilicate transparent
 Seal PTFE
 Standard construction

Example: 11-337-226-2-1-1-000

Recommendation:
 For corrosive media or steam, we recommend adding a mica disk to protect the glass!

Technical changes and errors reserved!

ACI Industriearmaturen GmbH • www.aci24.com
 Version 2016-10-12

Contact in Poland:
 Continental Trade Sp. z o.o.
www.continentaltrade.com.pl
office@continentaltrade.com.pl