

# Round Sight Glass

Metal to metal contact seal  
Flange mounted according to DIN 28121

**Type  
321**

## Application:

Observation and illumination of enclosed vessels (boilers, tanks, silos etc.)  
DIN 28121 Sight glasses are round flange fittings compatible with PN10/25. Sealing is provided by a flexible seal, with metal to metal contact providing the necessary compression.

**DIN 28121**  
Operating Pressure  
10 or 25 bar

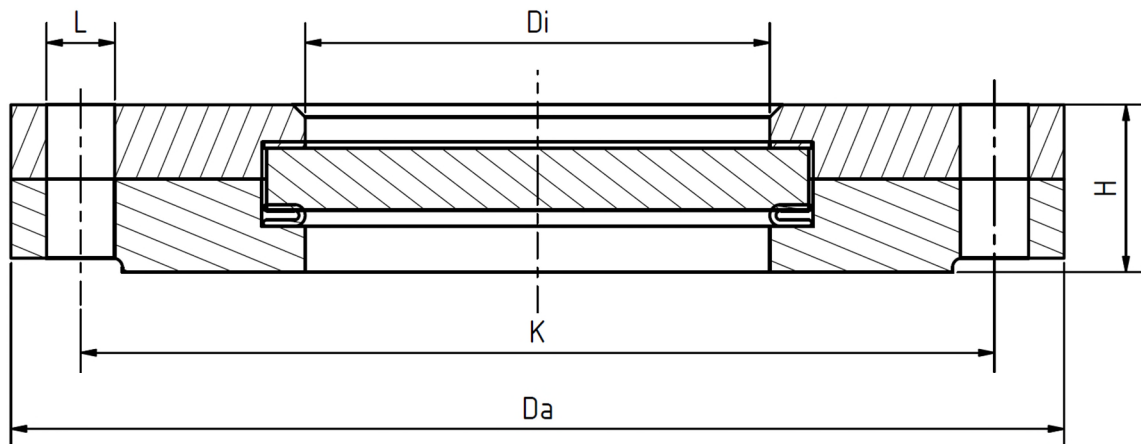
## Operating Conditions:

Temperature:	200	°C
pressure:	10	Bar
	25	Bar

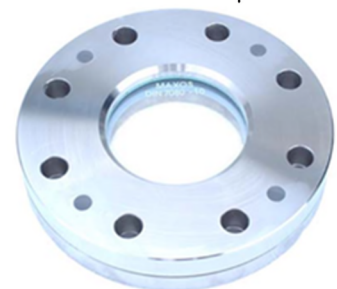
## Materials:

Flange:	1.4571, P235GH
Glass:	Borosilicate glass DIN 7080
Seal:	PTFE-enclosed resilient gasket
screws:	A4-70

Other materials on request



DN	40	50	80	100	125	150	200
Di	48	65	80	100	125	125	150
H (PN10)	36	38	46	46	54	54	54
H (PN25)	38	41	50	59	66	37,2	37,2
Da	According to DIN EN 1092-1						
L	According to DIN EN 1092-1						
K	According to DIN EN 1092-1						



## Installation guideline:

Flange mounting is considered and required for operation according to specifications.

Technical changes and errors reserved!

 	<h1>Round Sight Glass</h1> <h2>Metal to metal contact seal</h2> <p>Flange mounted according to DIN 28121</p>	<h1>Type 321</h1>
--	--	-----------------------

Product code:

		PN	DN	flange	Glass	Seal	Variants
11	321	10 25	Acc. To table	1: 1.4571 / 1.4571	1: BS Transparent 2: SL Transparent 3: Quartz 4: BS + PTFE Wiper 5: BS + Sil. Wiper	1: PTFE	Assigned by ACI as required

## Options

- a) Wiper
- b) Spray nozzle
- c) Double Glass
- d) Double glass and heating element
- e) LED lights
- f) Protective coating, version B acc. DIN 28121
- g) O-Ring-Seal (vacuum capable)
- h) Additional options on request

**ACI Type 321**  
 PN10  
 DN100  
 Example: Flansch 1.4571 / 1.4571                      11-321-10-100-1-1-1-0  
 Borosilicate glass  
 seal PTFE  
 standard construction

**Recommendation:**  
 For corrosive media or steam we recommend adding a mica disk to protect the glass.

Technical changes and errors reserved!

ACI Industriearmaturen GmbH • [www.aci24.com](http://www.aci24.com)  
 Version 2016-10-12

Contact in Poland:  
 Continental Trade Sp. z o.o.  
[www.continentaltrade.com.pl](http://www.continentaltrade.com.pl)  
[office@continentaltrade.com.pl](mailto:office@continentaltrade.com.pl)