

Screwed Sight Glass

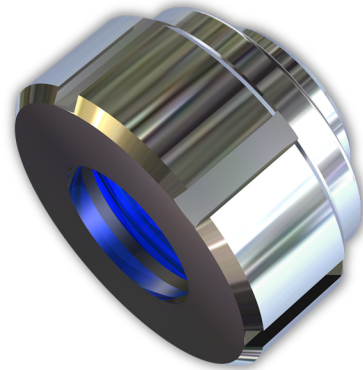
Similar to DIN 11851

Pipe Thread

**Type
327**

Application:

Screwed Sight Glasses are used for observation of processes inside Boilers, Vessels and Pipes. They are often employed in food service, dairy, breweries and pharmaceutical applications. Due to the high temperature tolerance sterilization is possible.



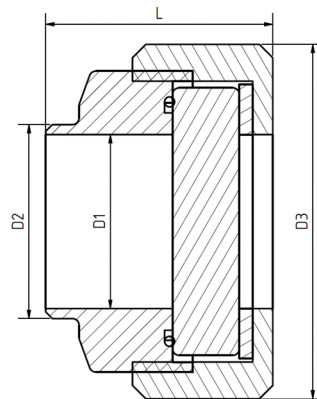
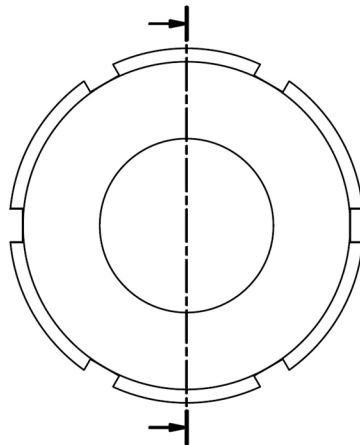
Operating Conditions:

Pressure:	Max 6 bar
Vacuum:	Max. 1.3 mbar
Temperature:	Max. 220°C (Dep. On Seal)

Materials:

Body:	1.4404 1.4301
Glass:	Borosilicate glass Soda Lime Glass
Seal:	PTFE NBR Viton

Other materials on request



DN	25	32	40	50	65	80	100	125	150
D1	26	32	38	50	66	81	100	125	150
D2	29	35	41	53	70	85	104	129	154
D3	63	70	78	92	112	127	148	178	210
L	37	40	41	43	48	54	64	58	60
Kg	0.31	0.40	0.50	0.70	1.10	1.61	2.27	3.10	5.30

(Measurements for PN 16, other sizes and standards available on request)

Technical changes and errors reserved!

 	<h1>Screwed Sight Glass</h1> <p>Similar to DIN 11851 Pipe Thread</p>	<h1>Type 327</h1>
--	--	-----------------------

Product code:

		DN	Body	Glass	Seal	Variants
11	327	Acc. To table	1: 1.4404 2: 1.4301	1: Borosilicate glass 2: Soda lime glass	1: PTFE 2: Viton 3: NBR 4: C4400 5: Silicone 6: EPDM 7: Graphite 8: Special	Assigned by ACI as required

ACI Type 327
 DN100
 Body 1.4404
 Borosilicate glass
 Seal PTFE
 Standard construction

Example: 11-327-100-1-1-1-000

Recommendation:
 For corrosive media or steam, we recommend adding a mica disk to protect the glass.

Technical changes and errors reserved!

ACI Industriearmaturen GmbH • www.aci24.com
 Version 2016-10-12

Contact in Poland:
 Continental Trade Sp. z o.o.
www.continentaltrade.com.pl
office@continentaltrade.com.pl