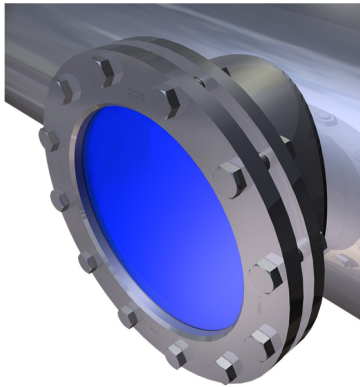
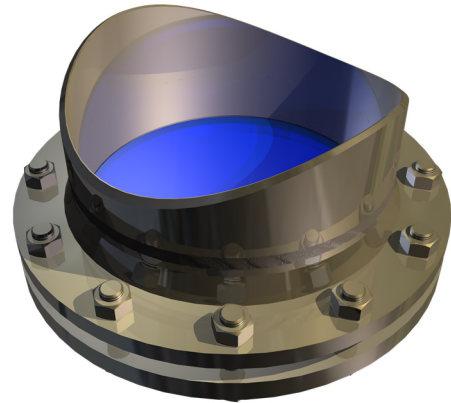


### Application:

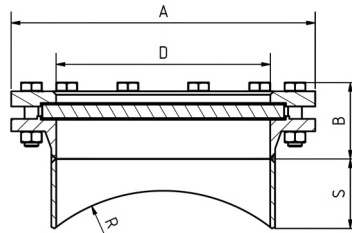
Sight glass flanges with welding sockets are suitable for welding on piping. Opportunities exist anywhere a sight glass is supposed to be added to an existing pipe. Only a matching opening needs to be created on the existing pipe.



### Materials:

Flange:	S235JRG2 1.4571
Glass:	Borosilicate glass DIN 7080 (max. 280°C) Soda Lime Glass DIN 8902 (max. 150°C) Quarzglas (max. 500°C, Sonderanfertigung)
Seal:	C4400 Graphite PTFE NBR Viton

Other materials on request



DN	25	40	50	65	80	100	125	150	200	300	350
A	115	150	165	185	200	220	250	285	340	460	520
C	33,7 x2,6	48,3 x2,6	60,3 x2,9	76,1 x2,9	88,9 x3,2	114,3 x3,6	139,7 x4	168,3 x4,5	219,1 x5,9	323,9 x7,1	355,6 x8
D	28,5	43,1	55	70,1	82,5	107	131,7	160	207	310	340
S	Depending on main pipe (please provide size information)										
R											
Kg	Depending on main pipe (please provide size information)										

(Measurements for PN16, other sizes and standards on request)

### Design considerations:

Mounting the sight glass will influence the main pipe mechanically and has to be considered according to AD 2000 instructions B9.

Technical changes and errors reserved!

# Sight Glass Flange

With Pipe Adapter

For welding on existing pipes

## Type 391

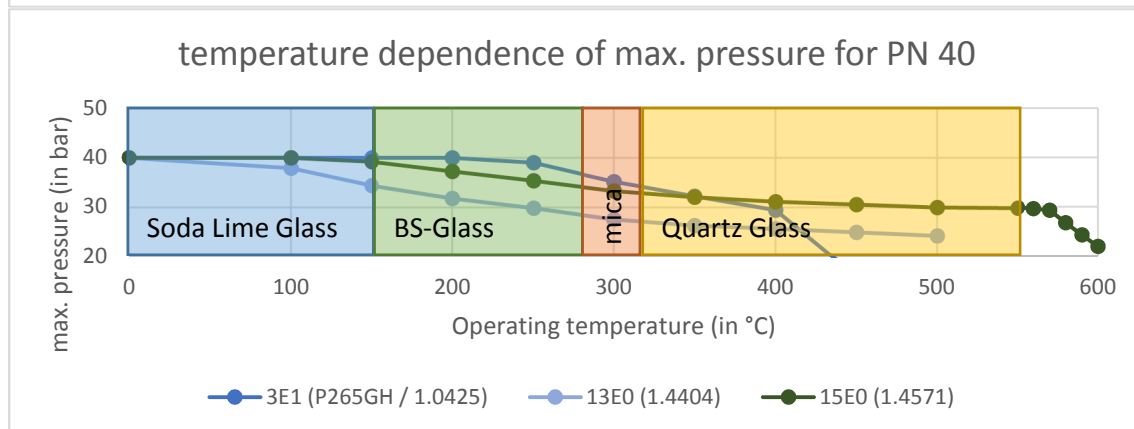
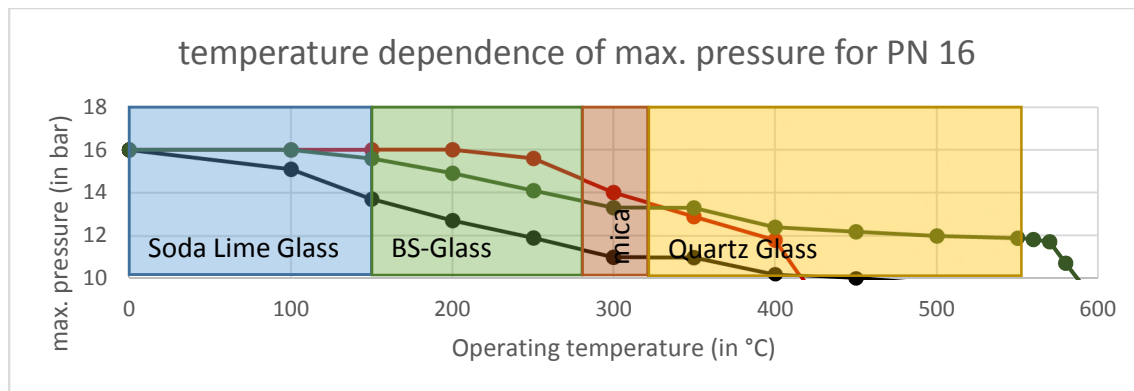
Product code:

	DN	Main pipe	Flange	Glass	Seal
11	391	Acc. To table ∅ of pipe	1: S235JRG 2: 1.4571 3: Base Flange VA, Cover Flange St. 4: Base Flange St., Cover Flange VA 5: Duplex	1: borosilicate glass 2: Soda Lime Glass 3: Quartz 4: BS + PTFE Wiper 5: BS + Sil. Wiper	1: PTFE 2: Viton 3: NBR 4: C4400 5: Silicone 6: EPDM 7: Graphite 8: Special

Example: **ACI Type 391**  
DN100 on DN500  
Flange 1.4571  
Borosilicate glass  
Seal PTFE

11-391-100-500-2-1-1

**Caution!**  
Observe pressure-temperature ratings acc. to DIN EN 1092-1!  
For steam or corrosive media we recommend mica disks!



Technical changes and errors reserved!