

APPLICATION:

For manual cleaning of sight glass plates in sight glass fittings. Suitable for vessels in pressure or vacuum operation in explosive and non-hazardous locations.

CERTIFICATES/ACCEPTANCE:

Test certificates of German State Material Testing Office in North-Rhine-Westphalia, Dortmund, are available.

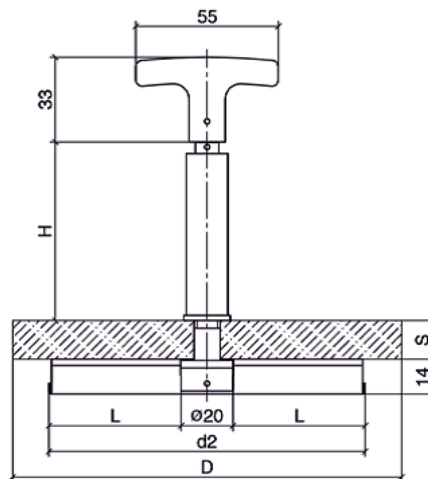
INSTALLATION INSTRUCTIONS:

Mounted in sightglass plates with central hole (similar to DIN 7080/ 8902), \varnothing 10.5 mm, suitable for sightglass fittings, DIN 28120, from nominal sizes DN 50 to DN 400 as well as for screwed sightglass fittings similar to DIN 11851, DN 50, 65, 80, 100, 125, 150

For round sight glass fittings

Operating conditions:

Temperature:	220°C (depending on the sight glass plate used)
Pressure:	vacuum-proof; pressure-proof up to at least 2 bar; depending on the dimensions of the sight glass plate up to 6 bar



Dimensions		Special designs									
Size		3	4	5	6	7	8	9	10	11	12
Nominal width	DN	50	80	100	125	150	200	250	300	350	400
View	d1	80	100	125	150	175	225	On request			
Dimension for H	Mm	70/70	70/70	70/65	70/65	70/65	70/60				
Glass plate	D	100	125	150	175	200	250				
	s	15/15	15/15	15/19	15/19	15/19	15/25				
	PN	6/6	6/6	5/6	4/6	4/4	2/4	Depending on glass			
Wiper	d2	77	97	122	147	172	222				



Sight glass wiper Option

for round sight glass fittings

SWI

ORDERING SPECIFICATIONS!

Wiper SWI

Size 3

Wiper blade PTFE

If a sight glass plate should be supplied, the following informations are necessary:

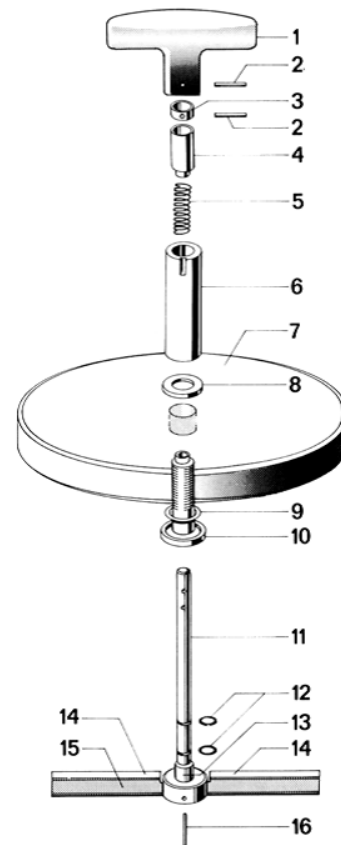
- Borosilicate glass or Soda lime glass
- Sight glass plate dimensions $\varnothing \times s$
- Nominal size of the fitting (DN)
- Effective operating pressure of the fitting
- for special versions (from size 9) Information on the wiper dia.

POSSIBLE COMBINATIONS:

The simultaneous combination of the sight glass wiper SWI with lights as well as with spray device SVI is possible. The maximum permissible temperatures and the thermal shock resistance of the sight glass plate must be observed!

ASSEMBLY:

Parts and materials:		
1.	T-handle; alternative freewheel lever handle for extra charge	thermoplastic (brass socket)
2.	Dowel pin	1.4310
3.	Distance piece	brass or PEEK
4.	Distance piece	brass or PEEK
5.	Pressure spring	1.4310
6.	Threaded socket	1.4401
7.	Glass plate	Soda lime- or Borosilicate glass
8.	Gasket	asbestos-free, BAS 400 green
9.	O-ring	FKM
10.	Threaded socket with flange	1.4401 or 1.4404
11.	Wiper arm	1.4401 or 1.4404
12.	O-ring	FKM
13.	Bearing bush	PTFE
14.	Wiper blades	Silicone, PTFE or EPDM
15.	Wiper blade holder	1.4571
16.	Dowel pin	1.4310



Contact in Germany:
ACI Industriearmaturen GmbH
Tel. +49 (0) 2403 748 850
info@aci24.com • www.aci24.com

Contact in Poland:
Continental Trade Sp. z o.o.
office@continentaltrade.com.pl
http://continentaltrade.com.pl

20190917

Technical changes and errors reserved!