


## Lumistar Luminaire USL 05 LED-Ex

 II 2G Ex db IIC T6 Gb  
 II 2D Ex tb IIIC T80°C Db

- For mounting on sight glass fittings**  
 Universally applicable sightglass luminaire in Ex version, which is excellently suited for the combination of sight glass and light glass (1 flange version) as well as for their separate arrangement (2 flange version).
- Small design, high light output:**  
 Glare-free illumination; suitable for round sightglass fittings to DIN 28120/DIN 28121 or similar as well as for screwed sightglass fittings to DIN 11851 and flow-through sightglass fittings.
- Large light emission via optimally designed screwed glass**
- Applications:** To illuminate the interior of boilers, tanks, silos, agitators and other normally closed containers and reactors as well as flow-through sight glasses in areas at risk of explosion; gas: zone 1 and 2, dust: zone 21 and 22. Suitable for food processing plants.
- Protection class:** IP 65 and IP 67 according to DIN EN 60529
- Operating conditions:** independent of vessel internal pressure/ vacuum. Under no circumstances may a sight glass light replace the mating flange or the complete sight glass flange socket or be used directly to cover a vessel opening.
- Attention:** Do not look into light – danger of impaired eyesight!
- Lumistar luminaires of this type are approved for use in ambient temperatures of up to 60°C, depending on the LED equipment used.**
- Technical data Ex-protection:**  
 This luminaire complies with the basic safety and health regulations by complying with the regulations for
 

<b>a) Gas</b>	
EN IEC 60079-0: 2018	General requirements
EN 60079-1: 2014	Protection by 'd' enclosure
Explosion group:	IIC (includes IIA and IIB)
Temperature class:	T6
<b>b) Dust</b>	
EN IEC 60079-0: 2018	General requirements
EN 60079-31: 2014	Flameproof enclosure 't'
Explosion group:	(includes IIIA and IIIB)
Temperature class:	T80°C
- Certification:** EU Type-Examination Certificate BVS 08 ATEX E 133  
 II 2G Ex db IIC T6 Gb  
 II 2D Ex tb IIIC T80°C Db
- Voltage:** Alternating/direct current, depending on luminaire type
- Operating voltage:**  
 24 V AC/DC – 7.5 W  
 110-230 V AC – 7.5 W  
 Colour temperature: 6500 K  
 Luminous flux: 360-430 lm (depending on beam angle)
- Beam angle:** 12°; 25°; 38°

CE 0158

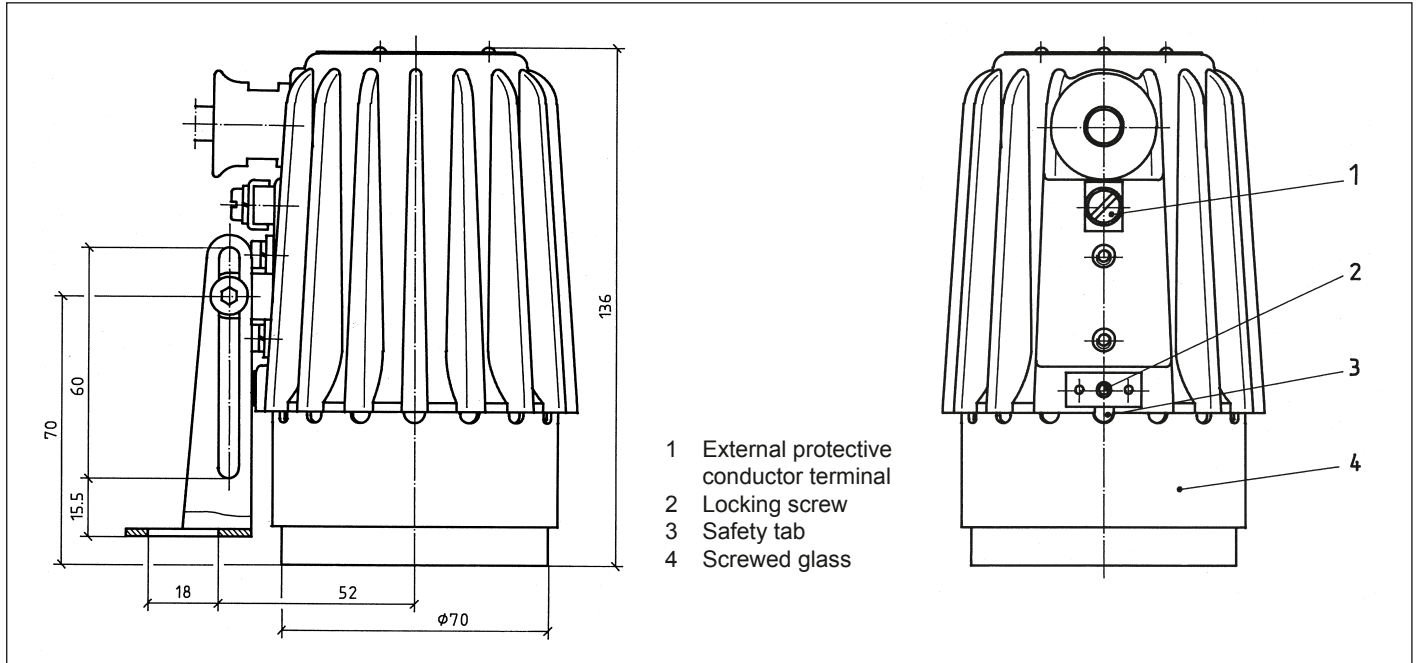
3755.559



Lumistar luminaire USL 05 LED-Ex

- Connecting cable:**  
 Works-fitted encapsulated pressure-tight power lead with screwed cable gland, optionally 2 m (standard), 5 m, 10 m, 20 m or externally tested and approved cable entry gland M20x1.5.
- Easy installation due to special mounting bracket**
- The Lumistar luminaire USL 05 LED-Ex fits the following nominal sizes:**
  - Circular sight glass fittings to DIN 28120, DIN 28121 and flow indicators; for attachment to cover flange: from DN 25 up
  - Screw-type sight glass fittings similar to DIN 11851; for attachment on or below the slotted nut:
    - DN 65, 80: by way of flanged adapter collar
    - DN 65, 80, 100, 125: by way of hinged bracket

## • Dimensions and electrical data for Lumistar luminaire USL 05 LED-Ex:



## • Parts, design and materials:

- Luminaire body: corrosion-resistant cast aluminium alloy, GK-ALSi10Mg
- Cable entry socket: with pressure-tight cast connection cable, 2 m, Sinotherm 110 H05GG-F 3G 1.5 mm<sup>2</sup>
- Protective conductor terminal: lamp interior already connected; additional protective conductor terminal on the outside of the housing
- Light transmission: as a unit of aluminium ring and glass. Seal: Viton
- Mounting parts: see under accessories
- Weight: 0.9 kg

## • Connecting data: Temperature classification and electrical parameters (see also: EU Type-Examination Certificate)

Item	USL 05 LED-Ex	Variant with 2 m connection cable part no.	Variant with cable gland 7-11 mm part no.	Ambient temperature range			
				-20°C ≤ T <sub>a</sub> ≤ +50°C		-20°C ≤ T <sub>a</sub> ≤ +60°C	
1	230 V AC – 4 W	3540.059.00	–	–	–	2G T6	2D T80°C
2	24 V AC/DC – 7.5 W	3540.042.00	3541.935.00	2G T6	2D T80°C	–	–
3	110-230 V AC – 7.5 W	3540.043.00	3541.936.00	2G T6	2D T80°C	–	–

## • Accessories:

Item	Component	Part no.
1	Luminaire mounting, hinged bracket, stainless steel	0354.014.00
2	Luminaire mounting, flanged adapter collar, stainless steel	1356.010.00
3	Lumiglas timer module, Ex-timer switch, external, for timed light switching	on request
4	Claw spanner for screw-in lens, for opening the lamp	6816.001.00

## • Order data:

e. g. Lumistar luminaire USL 05 LED-Ex, 24 V – 7.5 W, with 2 m connecting cable, part no. 3540.042.00  
with accessories: hinged bracket, part no.: 0354.014.00 and claw spanner, part no. 6816.001.00