

Lumiglas

Signalling Device
M55-BD-Ex



Signal Unit M55-BD-Ex

The ATEX-certified Lumiglas signalling unit M55-BD-Ex with its long service life and extremely robust design offers the solution for PLUS safety in potentially explosive atmospheres.

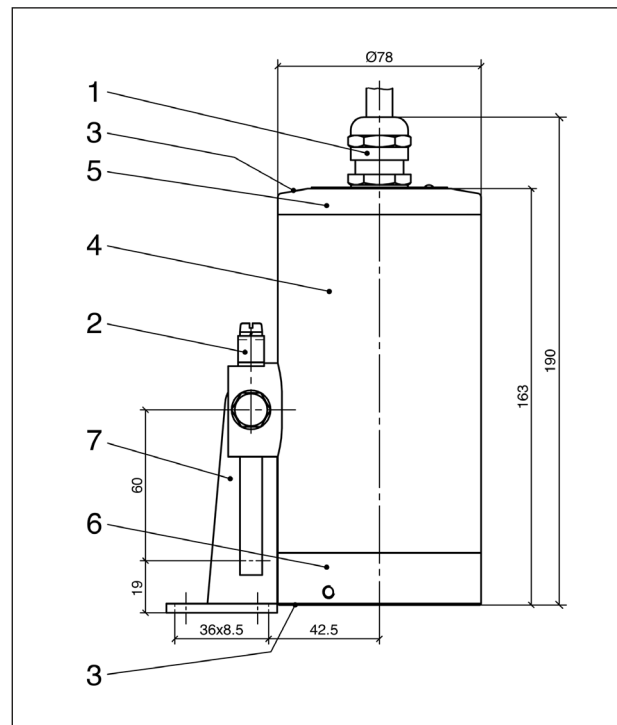
- The M55-BD-Ex automatically switches light or other consumers in Ex indoor or Ex outdoor areas on and off again.
- It is designed for explosion-protected areas, but can also be used in non-hazardous areas.
- The motion detector is equipped with radar sensor technology and the twilight switch is realised by an optical sensor.
- By using the M55-BD-Ex you save energy.
- Numerous applications can be realised due to many adjustment options of the sensor. For example, motion detectors and twilight switches can be used separately or in combination.

Advantages at a glance:

- Simple integration into existing systems
- Stainless steel housing
- 230 V AC or 24 V AC/DC with potential-free contact
- Parameterisable sensitivity
- Radar sensor
- Can be combined with twilight switch function
- Energy-saving
- Protection class IP 65 and IP 67
- Application in ambient temperatures of -20°C to +40°C

Typical areas of application:

- Access alarm for hazardous areas
- Use in potentially explosive areas



Parts and dimensions

- 1 Ex d-cable entry M20x1.5
- 2 Outer protective conductor terminal
- 3 M4 screw plugs A2-70
- 4 Housing body
- 5 Connection cover
- 6 Sight glass
- 7 Hinged bracket



TECHNICAL DATA

- Rated power of the electronics
- The potential-free contact (relay) switches
- Area of the radar sensor
- Range of the radar sensor
- Sensitivity of the radar sensor
- Signal time of the switching contact
- Twilight switch range

Signal unit M55-BD-Ex

5 W
up to 250 AC / 5 A / 1250 VA
horizontal 72° and vertical 60°
approx. 10 m
adjustable via switch
adjustable via potentiometer (5 sec. to 3 min. – other times possible)
adjustable via potentiometer (1-1400 Lux)