

Installation and Operating Instructions **CE**

0093.150.00

Lumistar Luminaires ME-LED

Sizes: 65, 80, 100, 125

For the combination of sight glass and light glass, suitable for circular screwed sight glass fittings according to DIN 11851 or similar, DN 65 to DN 125.

• **Important, please note:**

If the Lumistar luminaire ME-LED is retrofitted into a circular sight glass fitting already provided by the customer, an appropriate grooved union nut must also be ordered or the existing one mechanically adapted (see bore diameter ,d 8' according to DIN 11851).

• **Mechanical installation:**

- Caution: Do not look into light – danger of impaired eyesight!
- Loosen the slotted cover nut on the screwed sight glass fitting
- Pass the slotted cover nut over the connecting cable and luminaire housing
- Make sure that the sight glass disk is correctly seated in the fitting
- Focus the luminaire by aligning the centring feature on the bead and the opening in the slotted cover nut (see drawing)
- Screw the slotted cover nut onto the weld-on neck with the luminaire in position

• **Attention:**

The electrical connection should only be made after mechanical installation

• **Electrical connection:**

Lumistar luminaires ME-LED are factory fitted with a 3 m temperature-resistant connecting cable (Lapptherm 105, up to 90°C), which is connected in the luminaire ready for operation. Other cable lengths are available on request.

The connecting cable is connected to the voltage source.

The polarity must be observed:

Wire colour	12-24 V DC	24 V AC/DC
brown	(+)	(~)
blue	(-)	(~)
green-yellow	(⊥)	(⊥)

• **Maximum permissible ambient temperature at the cable entry:** 40°C

• **Replacement parts:**

- | | |
|--------------------------|---|
| - Push button (complete) | Part no.
8531.015.00+0862.024.00+2330.013.00 |
| - Sealing cap | 2330.013.00 |

• **Slotted cover nut/bore diameter:**

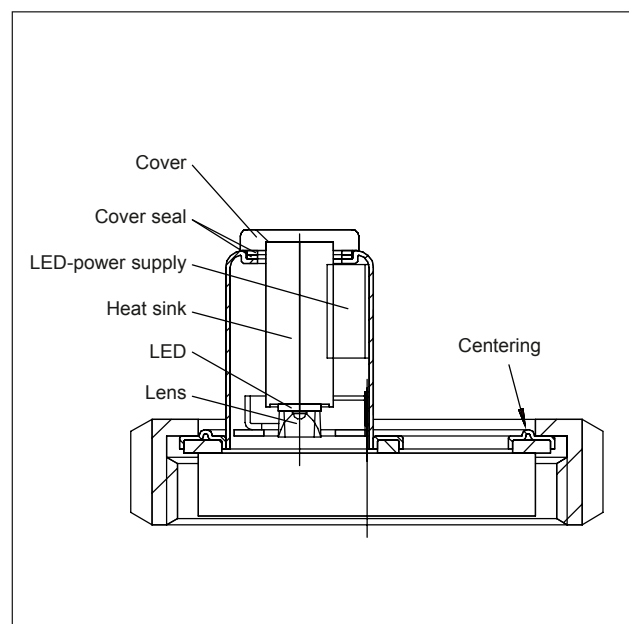
Type	d8
ME 65-LED	80 mm
ME 80-LED	94 mm
ME 100-LED	115 mm
ME 125-LED	138 mm

• **Maintenance:**

- Keep luminaire clean
- Only use original spare parts



Lumistar luminaire ME-LED, installed in a screwed sight glass unit similar to DIN 11851



Mechanical construction