

## Lumistar Luminaire USL 03-LED

### • For mounting on sight glass fittings:

This ultra-compact sight glass luminaire is designed for universal applications. It is ideal for use in combined sight and light ports (single-flange version) or with two separate ports (2-flange version).

### • Compact design, powerful light output:

Glare-free illumination; suitable for circular sight glass fittings similar to DIN 28120/DIN 28121 and for screw-type sight glass fittings similar to DIN 11851.

### • Application:

For illuminating the interior of tanks, hoppers, silos, agitators and other, usually closed, vessels and reactors as well as visual flow indicators in non-explosive environments.

Recommended for use in the food processing industry.

### • Protection class:

Dust- and waterjet-proof,  
IP 65 according to EN 60 529 / DIN VDE 0470, Part 1

### • Operating conditions:

Independent of the internal pressure/vacuum in the vessel.  
On no account should a sight glass luminaire be used on its own to close a vessel port or as a replacement for the mating flange or instead of the complete sight glass flange assembly.

### • Maximum admissible ambient temperature at the cable entry gland: 40°C

### • Caution:

Never look into the light source – risk of damage to the eyes!

### • Operating voltage:

12 V/24 V AC/DC  
Colour temperature: 4000 K  
Luminous flux: 180 lm

### • Reflected beam angle: 36°

### • Transformers:

Transformers or power supply units for 230 V/24 V AC are available on request.

### • Change of illuminants:

- Switch off the luminaire and disconnect the power supply
- Loosen the two screws in the head of the luminaire
- Open the luminaire
- Replacing the LED illuminant (always using the same type with the same wattage)
- Reassemble the luminaire
- Screw the front and rear parts of the luminaire housing together

### • Installation:

The unit is supplied complete with a works-fitted 5 m cable tail. The luminaire is usually mounted with a hinged bracket (included in scope of supply) to fasten it to the mating flange of the circular sight glass fitting or visual flow indicator, or attached to the grooved nut on screw-type sight glass fittings. The required M6 screw is included in the scope of supply.

CE

3755.206 a

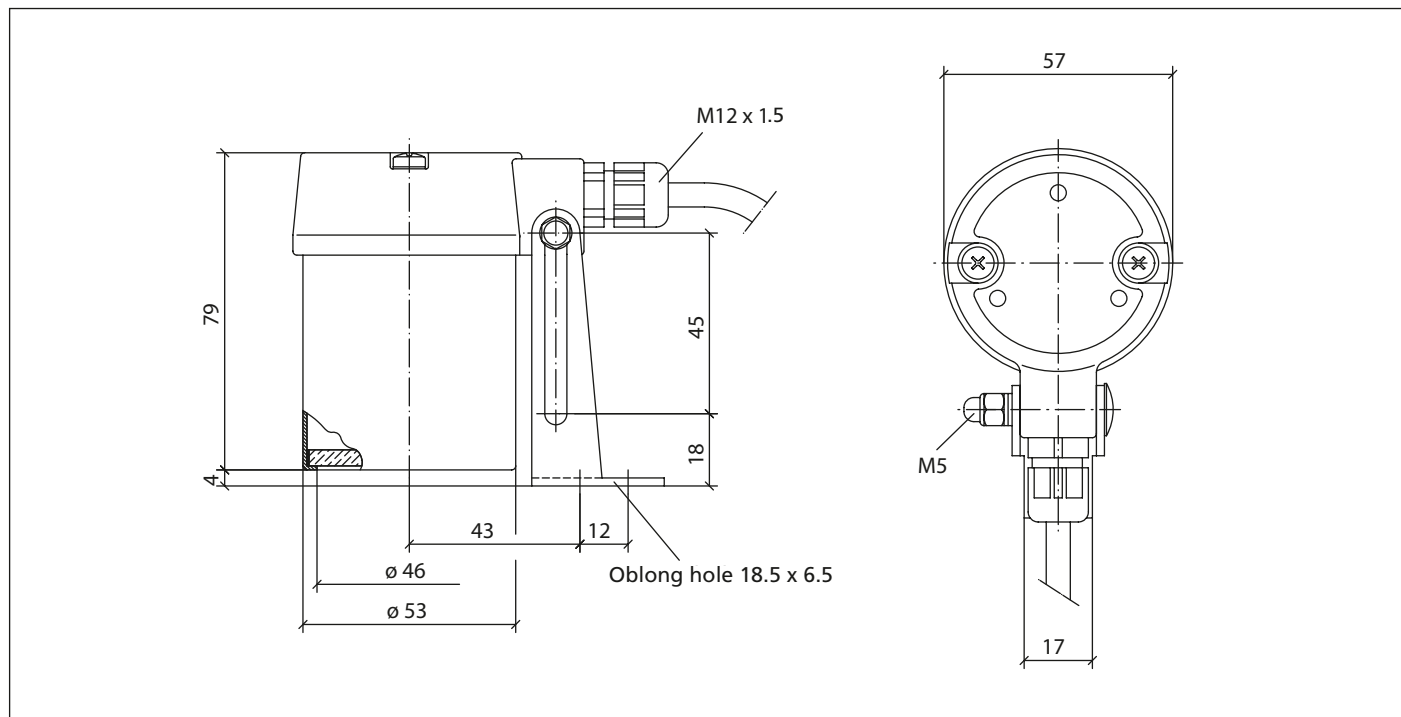


Lumistar luminaire USL 03-LED

### • The Lumistar luminaire USL 03-LED fits the following sizes:

- a) Circular sight glass fitting similar to DIN 28120: from DN 25
- b) Circular sight glass fitting similar to DIN 28121: from DN 40
- c) Visual flow indicators: from DN 50
- d) Screw-type sight glass fittings similar to DIN 11851: from DN 50

• **Dimensions and electrical data for Lumistar luminaire USL 03-LED:**



• **Components and materials:**

- Luminaire housing: stainless steel 1.4301; head of luminaire: stainless steel 1.4552
- Mounting parts (hinged bracket or flanged adapter): stainless steel 1.4301
- Power cable: 5 m (3 x 0.75 mm<sup>2</sup>), other lengths on request
- Weight: 0.8 kg

• **Connection data:**

Item	Type USL 03-LED	Nominal Voltage V	LED	Socket	Part no.
1	(12 V) 2 W	12 V ≈	12 V/2 W	GU4	3541.381.00
2	(24 V) 3.1 W	24 V ≈	12 V/2 W	GU4	3541.377.00

• **Replacement parts and accessories:**

Pos.	Replacement parts	Part no.
1	Luminaire mounting (hinged bracket)	0354.023.00
2	2-pin socket GU4	1202.023.00
3	Voltage transformer 24 V AC/DC, 12 V DC	ES# 9306.007.00
4	LED-illuminant 12 V/2 W GU4	3232.xxx.00
5	O-ring seals for fastening screws in head of luminaire (3.5 x 1.2 mm)	0862.076.00
6	Lid seal (between back plate and body)	0862.094.00
Pos.	Accessories	Part no.
1	Mounting for slotted nut MV65 (Ø 65)	L1356.030.00
2	Mounting for slotted nut MV50 (Ø 62)	L1356.027.00