



# Flow sight glass PN 10 to PN 63

Flow sight glass with flange connections

# Type 530



### APPLICATION:

For observation of filling and flow in pipelines. This sight glass allows reliable monitoring of the function and performance of individual equipment as well as entire installations.

With standard sight glasses, pipelines that must be completely emptied have a residual liquid in the sight glass area. **With this sight glass fitting, virtually almost no residual liquid remains when installed horizontally!**

### INSTALLATION NOTE:

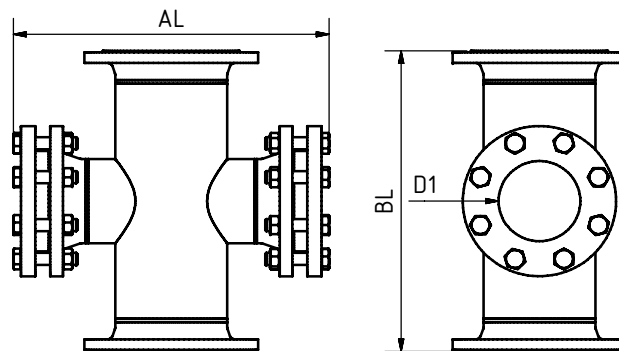
Gaskets suitable for the sealing surfaces should be used. The screw material should be equivalent to or higher than those of the sight glass body. Always use screws that match the hole pattern. If possible, the screw thread and the screw head should be lubricated.

**With flange connections according to DIN 1092-1 ( $\Delta P \leq 10 / 16 / 25 / 40 / 63$  bar)**

### Operating conditions:

Temperature: (depending on glass and gasket)	150°C 280 °C
Pressure:	$\leq 10$ to $63^1$ Bar

<sup>1</sup> above see Type 520



### Materials:

Body:	1.4571; 1.4539; 1.4404
Glass:	Borosilicate glass DIN 7080 Soda lime glass DIN 8902 Quartz glass Mica META® glass
Gasket:	PTFE; FKM; NBR; C4400; Silicone; EPDM; Graphite
Screws:	A4-70
Special materials on request	

DN	40	50	80	100	125	150	200	250	300	350	400
BL	200	230	310	350	400	480	600	730	850	980	1100
D1	35	45	55	84	107	132	160	160	160	160	160
AL <sup>2</sup>	232	258	336	380	420	464	558	706	821	955	1000
<sup>2</sup> other dimensions on request Dimensions acc. to PN 16, other pressure ratings may vary											
Special dimensions and other standards on request											



# Flow sight glass PN 10 to PN 63

Flow sight glass with flange connections

## Type 530

### PRODUCTCODE:

Group	TYPE	DN	PN	Body*	Glass	Gasket	Variant
11	530	40	0: 10	1: 1.4571	1: Borosilicate glass (Boro)	1: PTFE	Assigned by ACI if required
		50	1: 16	2: 1.4404	DIN 7080	2: FKM	
		80	2: 25	3: 1.4539	2: Soda lime glass (NKG)	3: NBR	
		100	3: 40	4: Special	DIN 8902	4: C4400	
		125	4: 63		3: Quartz glass	5: Silicone	
		150	5: Special		4: Boro + Mica	6: EPDM	
		200			6: META®-Glass	7: Graphite	
		250				8: Special	
		300					
		350					
		400					
		Special					

**INFO:** Unless otherwise stated, the factory standard highlighted is supplied.

\* Cover flanges made of body material or according to quotation / order confirmation

### SPECIAL DESIGNS/OPTIONS:

- a) Double glazing (Type 530D)
- b) High pressure version (Type 520)
- c) Mica protection
- d) FEP protective screen
- e) LED or halogen lights, ATEX-certified, EX
- f) Additional options on request

### EXAMPLE:

**11-530-200-1-1-1-7-0** equals the product code:

ACI Type 530  
DN200  
PN16  
body 1.4571  
borosilicate glass  
gasket graphite  
standard version

### ATTENTION!

The pressure-temperature limits according to DIN EN 1092-1 apply!

Our tool of the same name is available on our website for this purpose.  
([www.ACI24.com](http://www.ACI24.com), in the category Service, Tools)



### RECOMMENDATION:

For aggressive media or steam, mica discs should be used to protect the glass.

Kontakt w Niemczech  
ACI Industriearmaturen GmbH  
Tel. +49 (0) 2403 748 850  
[info@aci24.com](mailto:info@aci24.com) • [www.aci24.com](http://www.aci24.com)

Kontakt w Polsce:  
Continental Trade Sp. z o.o.  
tel. +48 22 670 11 81  
[office@continentaltrade.com.pl](mailto:office@continentaltrade.com.pl)  
<http://continentaltrade.com.pl>

20200210

Technical changes and errors reserved!