



Tubular sight glass PN 16

with BSP female thread

Type 622



APPLICATION:

For observation of filling and flow in pipelines. The sight glass provides reliable 360° monitoring of the function and performance of individual devices as well as entire systems.

The tubular sight glass type 622 is equipped with internal threads on both sides according to BSP.

EINBAUHINWEIS:

Die Verschraubung muss mit passenden Dichtungsstoff eingedichtet werden, um die angegebene Druckstufe erreichen zu können. Das Anschlussgewinde ist nicht selbstdichtend ausgelegt! Rohrschaufläser müssen so montiert werden, dass keine Rohrkräfte (Zug, Druck und Torsion), Vibrationen und Druckschläge auf die Armatur einwirken können!

With female thread connections BSP ($\Delta P \leq 16$ bar)

Operating conditions:

Temperature: (depending on glass and gasket)	300 °C	
Pressure:	≤ 16	Bar

PERMISSIBLE OPERATING PRESSURE:

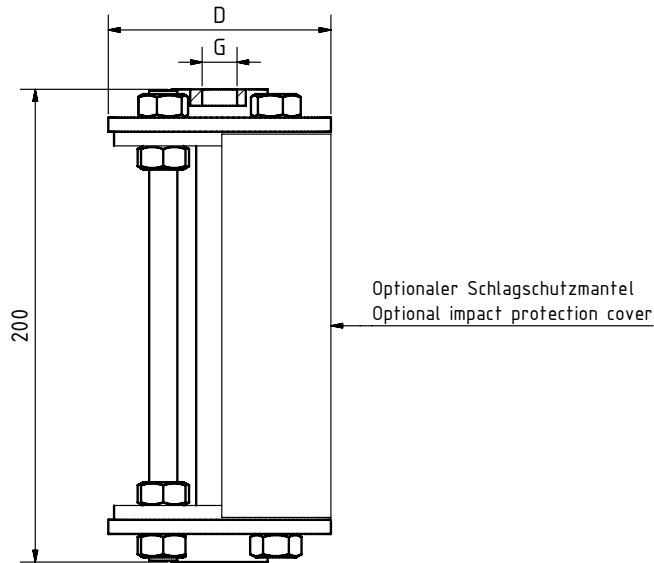
The permissible operating pressure is depending on the nominal size and must always be observed! The pressure and nominal size assignment on the next page must be observed. Higher pressures are possible on request. Please contact us if necessary.

Materials:

Flange:	P265GH, 1.0425, 1.4571
Glass tube:	Borosilicate glass
Gasket:	PTFE; FKM; NBR; C4400; Silicone; EPDM; Graphite
Screws:	A4-70
Special materials on request	

IMPACT PROTECTION COVER (OPTIONAL):

As an option, our tubular sight glasses type 620 can be equipped with an elastic impact protection jacket to protect the glass tube. Due to the new plastic material manufactured for ACI, it is considerably more resistant to UV radiation, impact and ageing than the previous Plexiglas version.

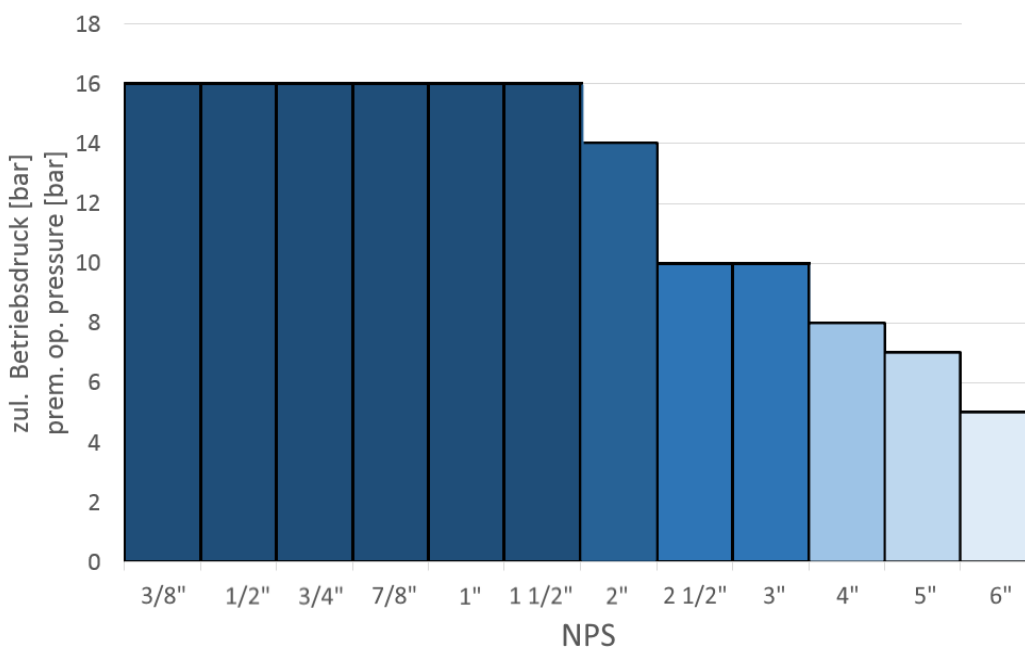


NPS	3/8"	1/2"	3/4"	7/8"	1"	1 1/2"	2"	2 1/2"	3"	4"	5"	6"
D	95	95	105	105	115	150	175	195	200	225	250	295
kg	2,5	2,5	3	3	3,5	6,3	8,5	10	10,5	14	17	24

Other sizes, lengths and flange standards on request.

ATTENTION!

Observe permissible operating pressure!





Tubular sight glass PN 16

with BSP female thread

Type 622

PRODUCTCODE:

Group	TYPE	NPS	Flange	Gasket	Impact protection	Iverall length
11	622	1: 3/8" 2: 1/2" 3: 3/4" 4: 7/8" 5: 1" 6: 1 1/2" 7: 2" 8: 2 1/2" 9: 3" 10: 4" 11: 5" 12: 6" 13: Special	1: P265 / 1.0425 2: 1.4571 3: Special	1: PTFE 2: FKM 3: NBR 4: C4400 5: Silicone 6: EPDM 7: Graphite 8: Special	0: without impact protection 1: with impact protection	000: Standard (200 mm)

INFO: Unless otherwise stated, the factory standard highlighted is supplied.

SPECIAL DESIGNS/OPTIONS:

- a) Impact protection cover
- b) Additional options on request

EXAMPLE:

11-622-10-2-4-1-000 equals the product code:

ACI Type 622
NPS 4"
flange 1.4571
gasket C4400
with impact protection cover
standard length 200 mm

HIGHER OPERATING PRESSURES:

In individual cases, higher operating pressures than those specified may be possible. Please contact us if necessary.

Contact in Germany:
ACI Industriearmaturen GmbH
Tel. +49 (0) 2403 748 850
info@aci24.com • www.aci24.com

Contact in Poland:
Continental Trade Sp. z o.o.
office@continentaltrade.com.pl
http://continentaltrade.com.pl

20190913

Technical changes and errors reserved!