

## Lumistar Luminaire ASL 57-LED, Aluminium

**Important, please note:**

Sight glass luminaires are purpose-designed and intended solely for mounting on sight glass flange fittings. Under no circumstances should a sight glass luminaire be used to replace the cover flange or the entire sight glass flange fitting, nor should it be used on its own to cover an opening in a process vessel. Lumistar luminaires should be mounted, installed and serviced by staff who have the relevant qualifications and have been trained and authorised to do such work. **Caution:** Do not look into light – danger of impaired eyesight!

**General operating conditions:**

Ambient temperature range: -20°C to +40°C

**Electrical data, general:**

- The voltage, output, temperature class and protection type are shown on the type plate.
- The input voltage is converted to the operating voltage for the LED illuminant by way of a power supply card inside the luminaire.
- Voltage type: AC/DC
- The luminaire is internally protected on the power supply card by a 1A microfuse at 230 V or a 2.5 A microfuse at 24 V.
- 10% admissible voltage tolerance
- Please note: The luminaire is provided with a temperature switch to protect the electronics. If the temperature switch is activated by excess heat or by the wrong mains voltage, the consequence will be that the luminaire cannot be switched on. In such a case, please wait until the unit has cooled down.

**Mechanical installation:**

The Lumistar luminaire ASL 57-LED with the required fixture fits the following sizes:

Type of fitting	from	Hinged	Flanged
Circular sight glass fitting			
DIN 28120	100	+	-
DIN 28121	100	+	-
Visual flow indicator	50	+	-
Screw-type sight glass fitting	65	-	+
	80	+	+
similar to DIN 11851	100	+	+
	125	+	+

**Mounting with hinged bracket:**

The hinged bracket is intended for securing the luminaire to the cover flange of a circular sight glass fitting (or flow indicator) or to the slotted cover nut of a screwed sight glass to DIN 11851. The hinged bracket is fixed in place in a blind hole tapped on the bolt pitch circle of the cover flange face (by the operating company), using the M8 screw provided. Alternatively, the bracket can be welded on.

**Mounting with flange adapter:**

The luminaire is inserted into the welded-on flange of the slotted nut and secured with the screws.

**Please note:**

Fastening components should be ordered separately if required.



Lumistar luminaire ASL 57-LED

**Electrical connection Lumistar luminaire ASL 57-LED:**

- The connecting cable should be attached by the customer.
- The external protective conductor terminal (Part 3) has to be connected to a separate earthing point.
- The connection cable should be supported after max. 1 m.

**Parameters:**

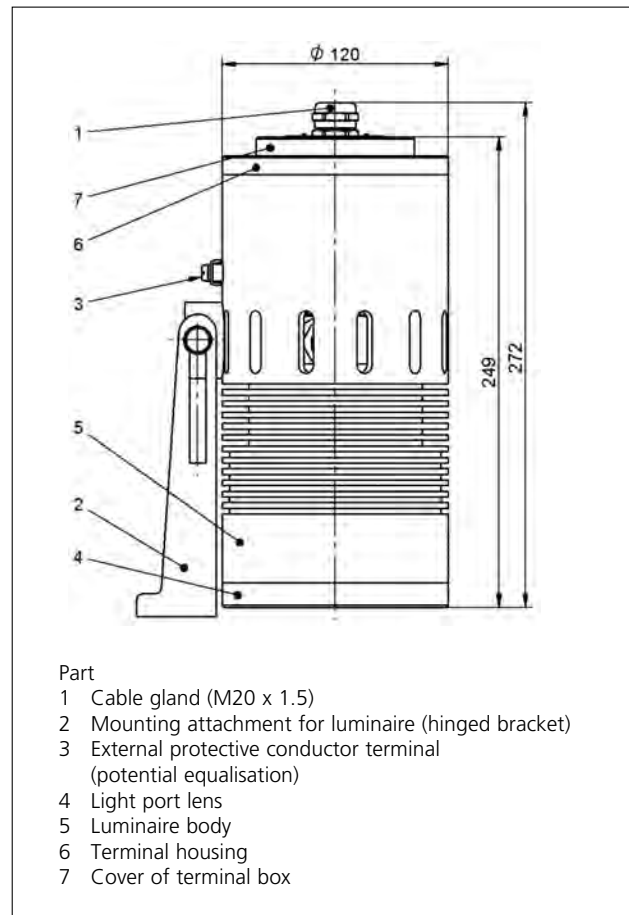
ASL 57-LED Type variant	Nominal voltage Volt
(24 V) 35 W	24 ≈
(120 - 230 V) 35 W	120 - 230 ~

**Requirements/conditions:**

- The luminaire and the area in which it is to be installed should be cleared of dust prior to installation and when conducting maintenance work. The dismantled parts should be protected against dust and dirt while installing or servicing the luminaire. When closing the luminaire, it is essential to ensure that it is free of pollution inside.
- Select a power supply cord to fit cable entry gland M20x1.5 and check the cable diameter (6-12 mm).
- The minimum temperature resistance of the power supply cord must be observed (-20°C/+85°C).
- With the 24 V version, please use the ferrite core provided in the scope of supply. All connecting wires must complete a full winding around the core in the housing (see drawings below).
- When using 24 V mains power supply, the parallel connection of luminaires with only one feed line should be avoided. The resulting major impedances in the feed line due to the reduced line cross-section together with contact resistances caused by terminals and connectors can lead to malfunctions in the luminaire.

**Replacement parts:**

Connection cover	<b>Part No.</b> 0821.023.00
Glass lens of luminaire (light aperture)	1773.021.00
Cable entry gland	9103.000108
O-ring seal Ø 94x1.5	0862.099.00
O-ring seal Ø 65x1.5	0862.098.00
Cylinder head screw M4 x 12 A2-70	6911.358.00
Cylinder head screw M5 x 16 A2-70	6911.362.00



- Part
- 1 Cable gland (M20 x 1.5)
  - 2 Mounting attachment for luminaire (hinged bracket)
  - 3 External protective conductor terminal (potential equalisation)
  - 4 Light port lens
  - 5 Luminaire body
  - 6 Terminal housing
  - 7 Cover of terminal box

**Maintenance:**

- Keep the luminaire clean.
- After opening the luminaire, please clean the surfaces of the cylindrical groove on the connection cover (part 1) and on the glass lens (part 4). Check them prior to reassembling the luminaire and re-grease the thread (e.g. with AEMA-SOL 6 B, made by A.E. Matthes).
- Always use original replacement parts.

