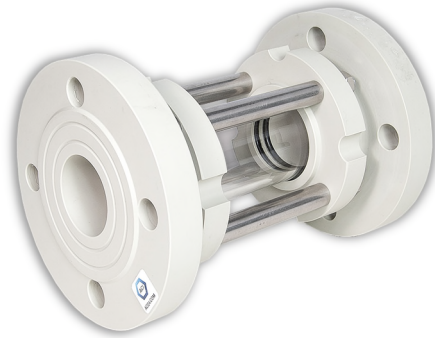


Application:

Tubular sight glasses built from PVC, PP und PVDF Are used for visual checking and control of flows and filling in pipes. The sight glasses allow a reliable observation of function and performance in single devices and complete plants.

Tubular sight glasses offer a barrier-free cross section with no significant dead space.



Operating conditions:

flanges:	matching PN10 (PN 16 bis DN150)
pressure:	Up to 10 bar
temperature:	Max. 100°C (PVDF)

Higher pressures on request

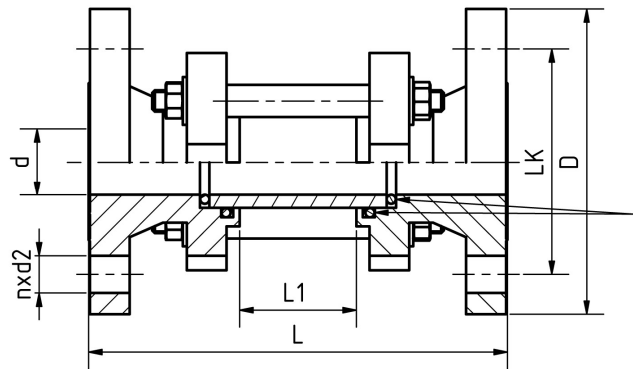
Materials:

flange:	P265GH / 1.0425 1.4571
glass:	borosilicate
Seal:	Dual O-Ring
bolts	A4-70

Other materials on request

Installation guideline:

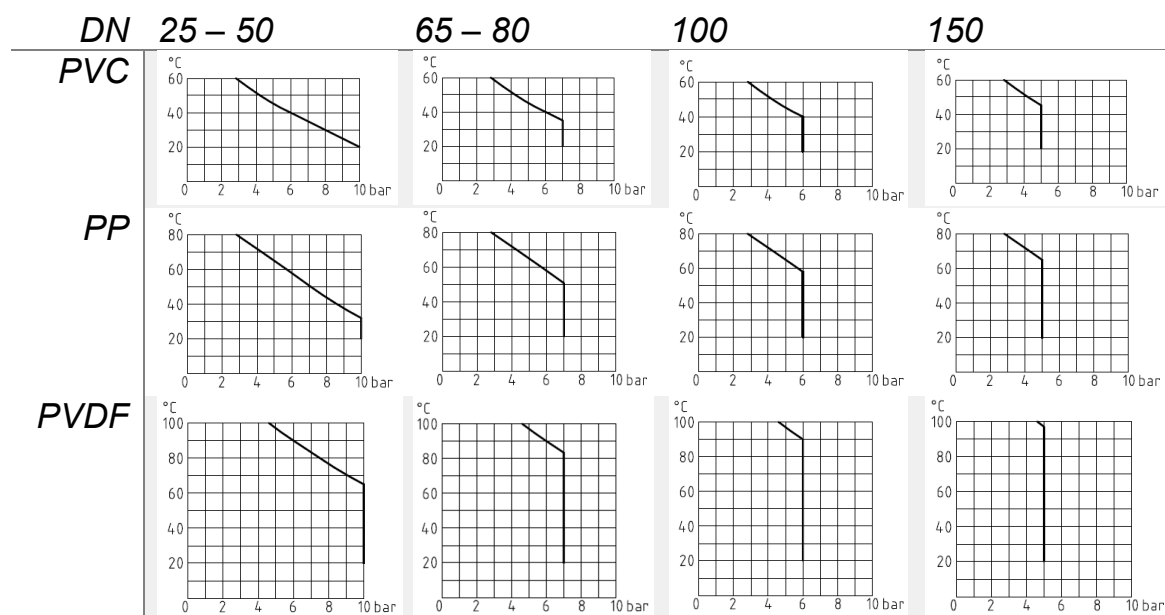
Tubular sight glasses must be installed in a way that prevents forces and moments from acting on the glass!



Nominal size			Length		DIN EN 1092-1		
d	DN	Inch	L	L1	LK	D	n x d2
32	25	1"	160	46	85	115	4 x Ø14
40	32	1 1/4"	180	58	100	140	4 x Ø18
50	40	1 1/2"	200	70	110	150	4 x Ø18
63	50	2"	230	92	125	165	4 x Ø18
75	65	2 1/2"	290	116	145	185	4 x Ø18
90	80	3"	310	126	160	200	8 x Ø18
110	100	4"	350	160	180	220	8 x Ø18
160	150	6"	480	244	240	285	8 x Ø22

Technical changes and errors reserved!

Pressure/Temperature Limits



Higher Operating pressures or temperatures:

In special cases, the temperature and pressure limits can be higher than generally stated. Please contact us if necessary.

Product code:

	DN	flange	Seal	Length
11	620K	Acc. To table	1: PVC 2: PP 3: PVDF	000: Standard

Example: **ACI Type 620K**
 DN100
 Flange PP
 Seal Viton
 Standard construction
 11-620K-100-2-2-000

Technical changes and errors reserved!