



APPLICATION:

Observation and illumination of the liquid level inside closed vessels (boilers, tanks, silos, etc.).

These sightglasses are square flanged sockets with 20x3 mm weld-in sockets on the rear side, each completed with a firmly screwed sightglass plate inserted between the seals.

INSTALLATION NOTE:

After the base frame has been welded in, check whether the sealing surfaces have warped! If necessary, rework must be performed! Please also observe the specified torques for the screw connection!

Rear weld-in socket
 ϕ 20 x 3 mm
 $(\Delta P \leq 16 / 40 \text{ bar})$

Operating conditions:

Temperature:	243 °C Boro Reflex 300 °C Boro transparent 320 °C Boro transparent with mica protection
--------------	--

Pressure:	$\leq 16 / 40^2$	Bar
-----------	------------------	-----

² see pressure remark on next page

WELDING SOCKET:

Two weld-in sockets $\phi 20 \times 3$ mm are attached at the rear. Other diameters are also available on request if technically possible.

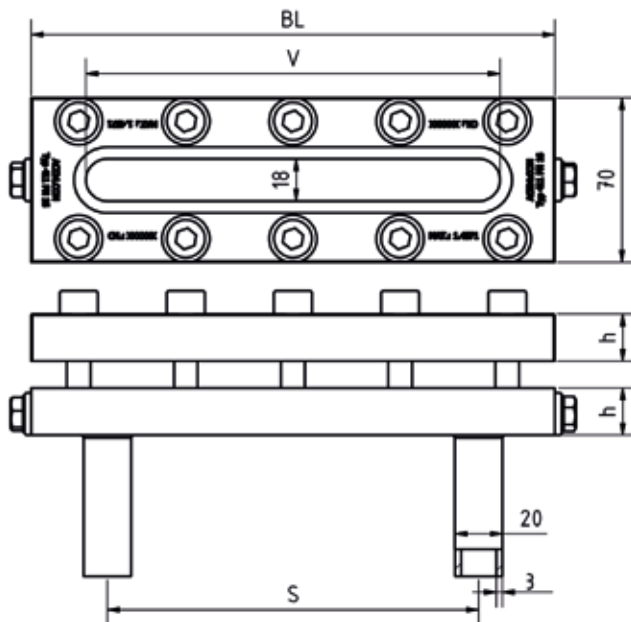
Materials:

Flange:	1.4571, 1.4404
Glass:	Borosilicate glass DIN 7081 Reflex or transparent glass
Gasket:	PTFE; FKM; NBR; C4400; Silicone; EPDM; Graphite
Screws:	A4-70
Special materials on request	

REFLEX AND TRANSPARENT GLASS:

A reflex sight glass is recommended for dark media, dark or non-illuminated vessels. (see adjacent picture) Due to the refraction of light in the integrated prisms, the fill level may be better visible. However, if the vessel is illuminated, the medium is very bright or the colour of the medium must be visible, a transparent glass should be used. We are happy to help you with the selection.



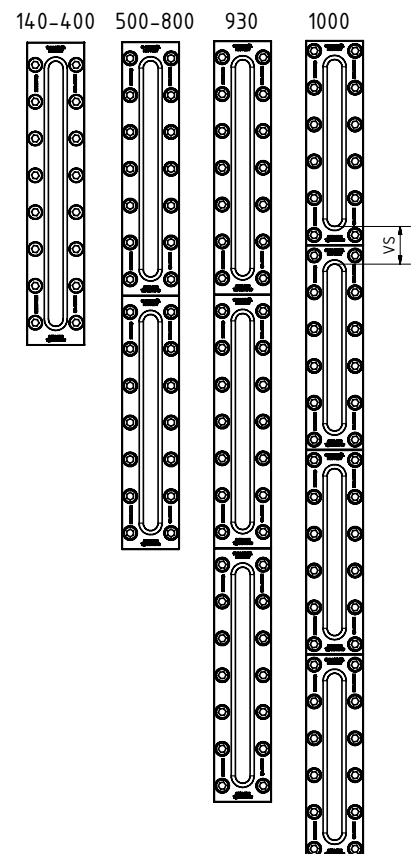


CONCEALED VIEW (VS):

Concealed visibility is formed in the area between the individual longitudinal glasses for level indicators of long sizes. Because of the manufacturing length of the longitudinal glasses in accordance with DIN 7080, a concealed view cannot be avoided from an overall length of 500 mm onward. The layout of the sizes 140 mm to 1000 mm can be seen in the following illustration.

BL	V	S	Concealed view (VS)	h (PN16)	h (PN40)	Kg (PN16)	Kg (PN40)	tightening torque ² (Nm)
140	79	60	0	20	25	2,8	3,4	13...34
170	124	100	0	20	25	3,2	4,0	13...34
220	174	150	0	20	25	4,0	5,0	13...34
250	204	180	0	20	25	4,6	5,7	13...34
300	264	240	0	20	25	5,3	6,7	13...34
310	264	240	0	20	25	5,6	7,0	13...34
350	304	280	0	20	25	6,3	7,8	13...34
370	324	300	0	20	25	6,6	8,2	13...34
400	354	330	0	20	25	7,1	8,9	13...34
500	454	430	1x46	20	25	9,1	11,4	13...34
600	564	540	1x46	20	25	10,7	13,4	13...34
620	574	550	1x46	20	25	11,1	13,9	13...34
700	654	630	1x46	20	25	12,5	15,7	13...34
740	694	670	1x46	20	25	13,2	16,5	13...34
800	754	730	1x46	20	25	14,2	17,8	13...34
930	884	860	2x46	20	25	16,7	20,9	13...34
1000	954	930	3x46	20	25	18,2	22,8	13...34

² graphite gasket



²PRESSURE REMARK:

The operating pressure of 40 bar is only possible with transparent glass for liquid media without technically significant glass attack. For transparent glasses exposed to steam or aggressive media, the maximum operating pressure is PS = 35 bar. More detailed information can be found in our info sheet DIN 7081.



Rectangular sight glass PN 16 / 40

Level indicator with two rear weld-in socket

Type 411

PRODUCTCODE:

Group	TYPE	ovr. length	PN	Base frame*	Glass	Gasket	Variant
11	411	140 170 220 250 300 310 350 370 400 500 600 620 700 740 800 930 1000	1: 16 2: 40	2: 1.4571 4: 1.4404 5: Duplex 8: Special	1: Borosilicate glass (Boro) DIN 7081 transparent glass 3: Borosilicate glass (Boro) DIN 7081 reflex glass 5: untempered borosilicate glass transparent glass	1: PTFE 2: FKM 3: NBR 4: C4400 5: Silicone 6: EPDM 7: Graphite 8: Special	Assigned by ACI if requi- red

INFO: Unless otherwise stated, the factory standard highlighted is supplied.

*Cover frame according to quotation / order confirmation.

SPECIAL DESIGNS/OPTIONS:

- a) High temperature version on request
- b) LED or halogen lights, ATEX-certified, EX
- c) Other options on request

EXAMPLE:

11-411-400-1-2-3-7-0 equals the product code:

ACI Type 411

400 mm long

PN16

Base frame 1.4571

Borosilicate glass reflex

gasket graphite

standard version

RECOMMENDATION:

For aggressive media or steam, mica discs should be used to protect the glass.

(Not possible with reflex sight glasses as they would lose their function.)

Kontakt w Niemczech
ACI Industriearmaturen GmbH
Tel. +49 (0) 2403 748 850
info@aci24.com • www.aci24.com

Kontakt w Polsce:
Continental Trade Sp. z o.o.
tel. +48 22 670 11 81
office@continentaltrade.com.pl
http://continentaltrade.com.pl

20200210

Technical changes and errors reserved!