






RE-2 type

ZIMANI

Explore and Discover

7038

-  Rectangular manwaydoor, opening outwards
-  Porte rectangulaire avec ouverture à l'extérieur
-  Rechteckige Mannlochtür, schwenkbar nach außen (außenöffnung)
-  Puerta rectangular de apertura externa
-  Portella rettangolare ad apertura esterna



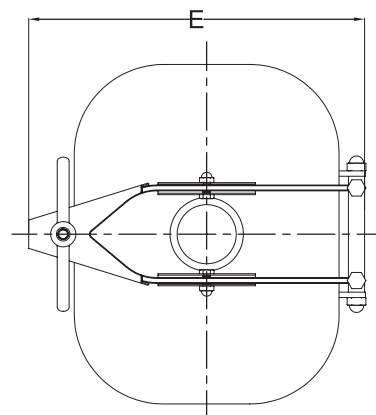
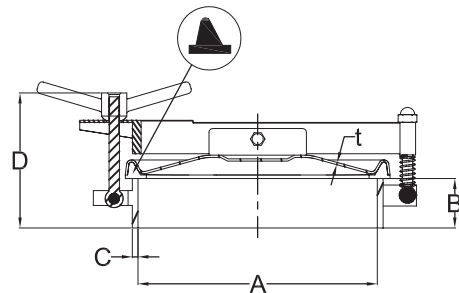
- ◆ 7038 435
- ◆ 7038 535
- ◆ 7038 700

STANDARD SIZE/* At temperature 50°C /122 °F

CODE	A	C	B	T	P.MAX
	mm	mm	mm	mm	bar
7038 435	419×319	8.0	70	3.0	0.6
7038 535	519×399	8.0	100	3.0	0.25
7038 700	676×476	12.0	100	4.0	0.1

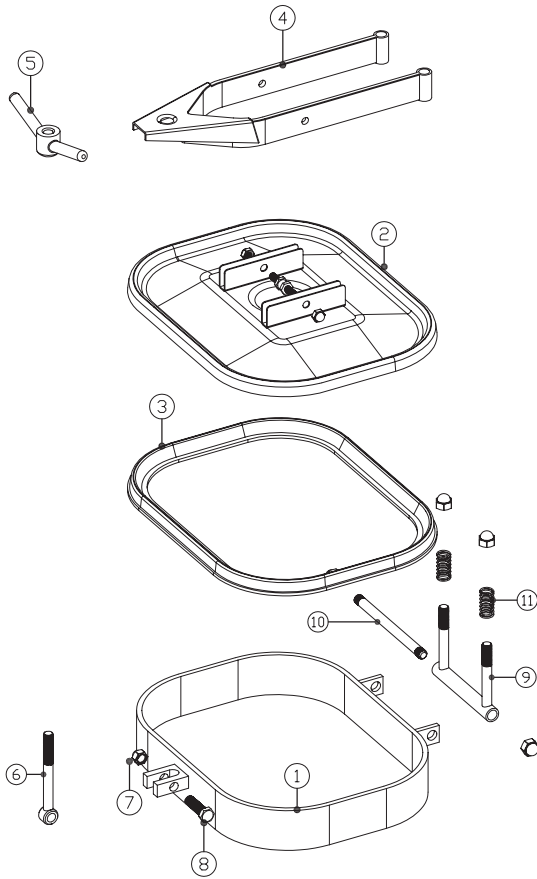
IF YOU WANT TO CHECK FOR MORE DETAILS
PLEASE CHECK THE FOLLOWING DRAWING

*1BAR ≈14.5PSI=0.1MPA



RE-2 type

RE-2 Parts Drawing



GASKET		
Part No.	Material	Color
7010-08 1	Silicon	White
7010-08 2	EPDM	Black
7010-08 3	FPM	Black

Item	Description	Material	Qty
1	Frame	1.4301/1.4404	1
2	Cover	1.4301/1.4404	1
3	Gasket	Silicon	1
4	Arm	T304	1
5	Top Nut	T304	1
6	Swing bolt	T304	2
7	Nut	T304	7
8	Screw	T304	3
9	Back hinge support	T304	1
10	Screw	T304	1
11	Spring	T304	2

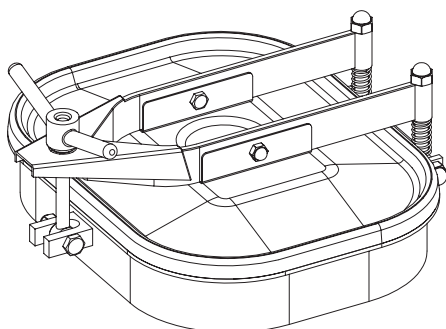
RE-2 Technology

TECHNICAL DATA

Working pressure: Acc. to table standard size.

Certificates

EN10204. 3.1 certificate



Options

Stainless Steel Finishes

POLISHED WITH RA (μ)

BEAD BLASTED

PICKLED : ON REQUEST

ELECTRO POLISHED

Cover & Frame Range

Cover Thickness	Frame/Neck Height
2.0mm	70mm (2.75")
2.5mm	100mm (3.94")
3.0mm	120mm (4.72")

Note: Longer heights are also available.