

APPLICATION:

For observation of filling and flow in pipelines. This sight glass allows reliable monitoring of the function and performance of individual equipment as well as entire installations.

The sight glasses are sealed in the force shunt. **With this sight glass fitting, virtually no residual liquid remains in the housing when installed horizontally!**

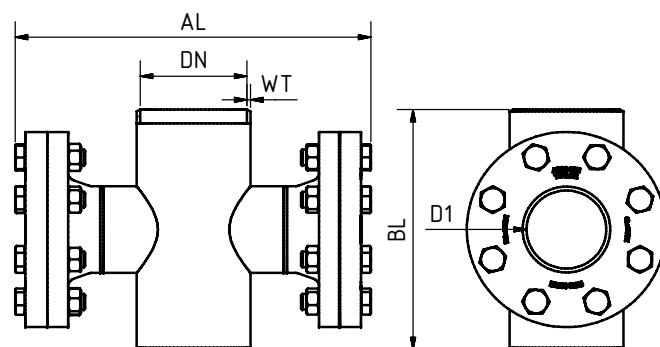
INSTALLATION NOTE:

After the base body has been welded in, check whether the sealing surfaces have warped! If necessary, rework must be performed! For the welding process it is advisable to weld in the sight glass in the disassembled state or use low heat exposure. In case of non-compliance, the glasses can be damaged. Note the torques required for assembly!

**Force shunt,
with welding ends
($\Delta P \leq 10 / 16 / 25$ bar)**

Operating conditions:

Temperature: (depending on glass and gasket)	150°C 200 °C ¹	
Pressure:	≤ 10 to 25	Bar
higher on request		



Materials:

Body:	1.4571; 1.4539; 1.4404
Glass:	Borosilicate glass DIN 7080 Soda lime glass DIN 8902 Quartz glass Mica
Gasket:	PTFE enclosed resilient gasket
Screws:	A4-70
Special materials on request	

DN	50	80	100	125	150	200	250	300	350	400
BL	on request or special dimensions									
WT	matching DN and pressure stage									
D1	48	65	80	100	125	125	150	150	150	150
AL ²	240	320	356	410	490	615	745	870	1005	1125
¹ limited by gasket; ² other dimensions on request Dimensions correspond to PN 16, other pressure ratings may vary										
Other sizes and flange standards on request										



Flow sight glass PN 10 to PN 25

Force shunt, with welding ends

Type 581

PRODUCTCODE:

Group	TYPE	DN	PN	Body*	Glass	Gasket	Variant
11	581	1: 50 2: 80 3: 100 4: 125 5: 150 6: 200 7: 250 8: 300 9: 350 10: 400 11: Special	0: 10 1: 16 2: 25 5: Special	1: 1.4571 2: 1.4404 3: 1.4539 4: Special	1: Borosilicate glass (Boro) DIN 7080 2: Soda lime glass (NKG) DIN 8902 3: Quarzglas 4: Boro + Glimmer 6: META®-Glas	1: PTFE 8: Special	Assigned by ACI if required

INFO: Unless otherwise stated, the factory standard highlighted is supplied.

* Cover flanges made of body material or according to quotation / order confirmation

SPECIAL DESIGNS/OPTIONS:

- a) Safety double glazing (Type 586)
- b) Mica protection
- c) FEP protective screen
- d) LED or halogen lights, ATEX-certified, EX
- e) Additional options on request

EXAMPLE:

11-581-10-1-1-1-1-00 equals the product code:

ACI Type 581
DN400
PN16
body 1.4571
borosilicate glass
gasket PTFE
standard version

RECOMMENDATION:

For aggressive media or steam, mica discs should be used to protect the glass.

Kontakt w Niemczech
ACI Industriearmaturen GmbH
Tel. +49 (0) 2403 748 850
info@aci24.com • www.aci24.com

Kontakt w Polsce:
Continental Trade Sp. z o.o.
tel. +48 22 670 11 81
office@continentaltrade.com.pl
http://continentaltrade.com.pl

20191108

Technical changes and errors reserved!