



# Tubular sight glass PN 16

with screw connections according to DIN 11851

# Type 645



### APPLICATION:

For observation of filling and flow in pipelines. The sight glass provides reliable 360° monitoring of the function and performance of individual devices as well as entire systems.

Type 645 sight glasses are suitable for installation in pipelines according to DIN 11851 at operating pressures of up to 16 bar. Apart from the screw connections, Type 645 has no dead space.

### INSTALLATION NOTE:

The screw connection is required and taken into account for design tightness. Gaskets matching the sealing surfaces should be used. Tubular sight glasses must be installed in such a way to prevent pipe forces (tension, pressure and torsion), vibrations and pressure shocks from affecting the fitting!

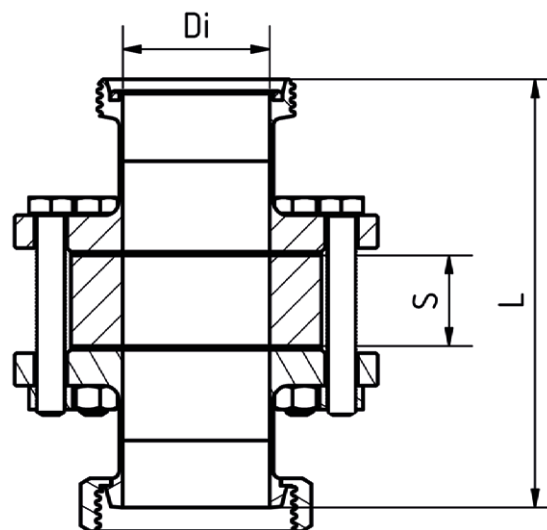
**With screw connections according to DIN 11851 ( $\Delta P \leq 16$  bar)**

### Betriebsbedingungen:

Temperatur: (abhängig von Glas und Dichtung)	80 °C Acrylglas 280 °C Borosilikatglas
Druck:	$\leq 16$ Bar

### Materials:

Flange:	1.4301; 1.4404
Glass tube:	borosilicate glass acrylic glass
Gasket:	PTFE; NBR; Silicone; EPDM
Screws:	A4-70
Special materials on request	



DN	10	15	20	25	32	40	50	65	80	100	125	150
Di	10	16	20	26	32	38	50	66	81	100	125	150
L	112	112	132	131	141	147	157	166	186	206	194	201
S	50 mm borosilicate glass / 50 to 100 mm acrylic glass											



# Tubular sight glass PN 16

with screw connections according to DIN 11851

# Type 645

## PRODUCTCODE:

Group	TYPE	DN	Flange	Glass	Gasket	Version
11	645	10	1: 1.4301	1: Acrylglas	1: PTFE	Assigned by ACI as required
		15	2: 1.4404	2: Borosilikatglas	2: NBR	
		20			3: Silicone	
		25			4: EPDM	
		32			8: Special	
		40				
		50				
		65				
		80				
		100				
		125				
		200				

### EXAMPLE:

11-645-100-2-2-1-000 equals the product code:

ACI Type 645

DN100

flange 1.4404

borosilicate glass

gasket PTFE

standard version

### HIGHER OPERATING PRESSURES:

In individual cases, higher operating pressures than those specified may be possible. Please contact us if necessary.

Contact in Germany:  
ACI Industriearmaturen GmbH  
Tel. +49 (0) 2403 748 850  
info@aci24.com • www.aci24.com

Contact in Poland:  
Continental Trade Sp. z o.o.  
office@continentaltrade.com.pl  
http://continentaltrade.com.pl

20190917

Technical changes and errors reserved!