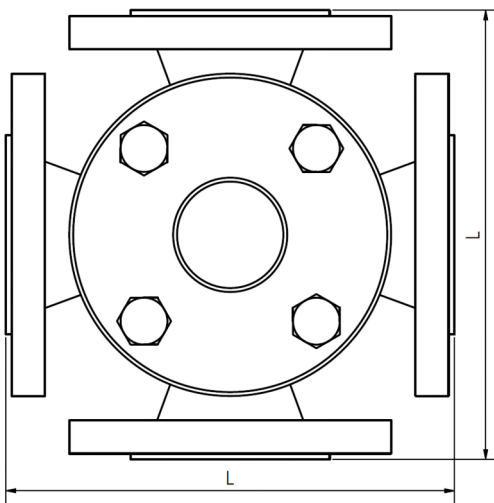
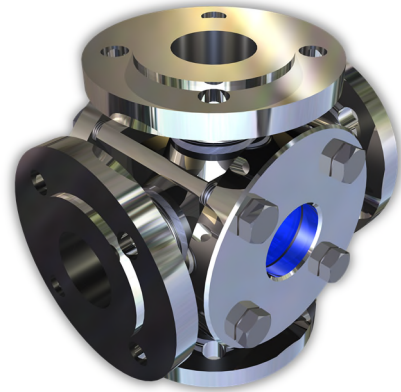


Application:

Visual Checking of Filling and Flows in Piping.
Sight Glasses allow for reliable Observation of Function and Performance in single devices or complete plants.



Materials:

Body	1.4571
	1.4404
	Steel

Glass:	Borosilicate glass DIN 7080
	Soda Lime Glass DIN 8902
	Quartz GLass
	META®-Glass

Seal:	Graphite MST or as chosen
-------	---------------------------

Other materials on request

Operating conditions:

Pressure:	PN16
	PN40

Temperature:	150°C (DIN 8902)
	280°C (DIN 7080)

DN	15	20	25	40	50	65	80	100
L	200	230	310	350	400	480	600	730

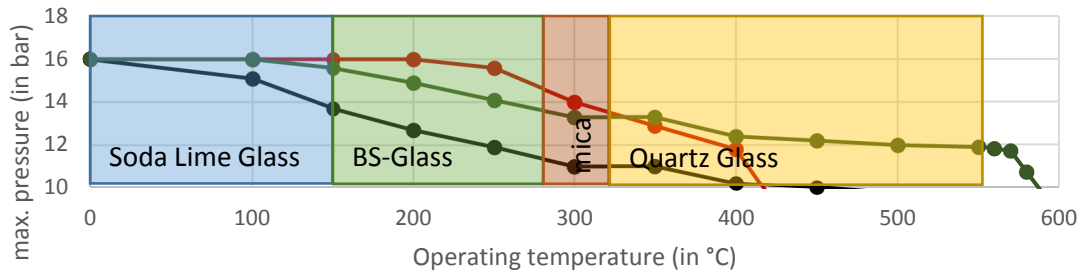
Other sizes on request

High Pressure Version:
Available on request.

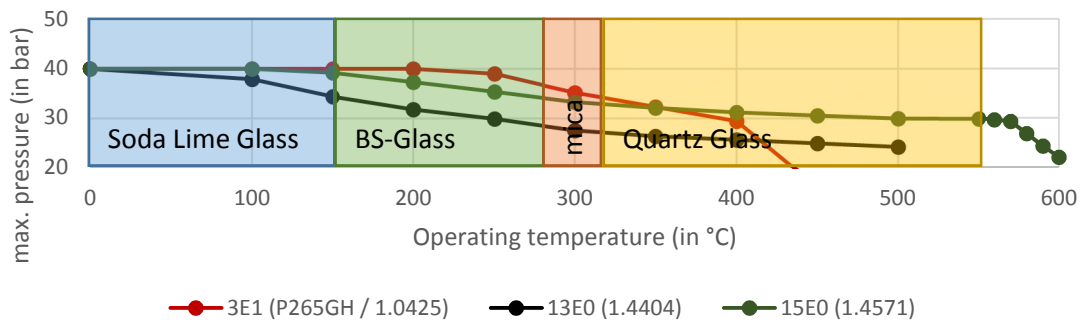
Recommendation:
For corrosive media or steam, mica disks should be used.

Technical changes and errors reserved!

temperature dependence of max. pressure for PN 16



temperature dependence of max. pressure for PN 40



● 3E1 (P265GH / 1.0425) ● 13E0 (1.4404) ● 15E0 (1.4571)

Technical changes and errors reserved!