






-  Non-pressure hygienic access covers
-  Trappes aseptiques sans pression
-  Drucklose Domdeckel, steril
-  Bocas de hombre asépticas sin presión
-  Chiusino circolare



◆ 7024 450

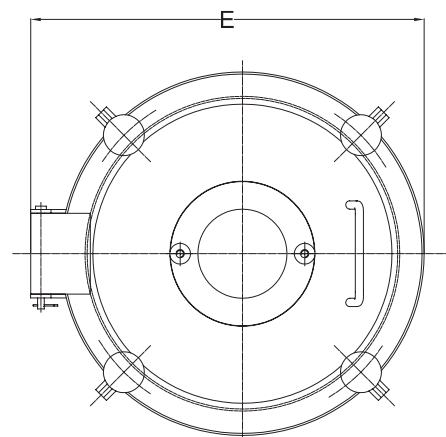
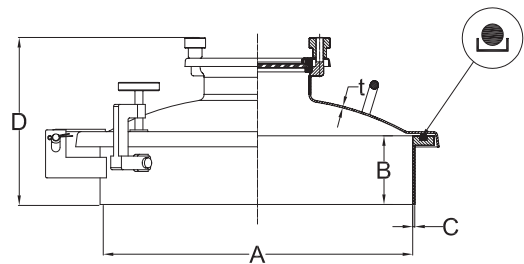


STANDARD SIZE/* At temperature 50°C /122 °F

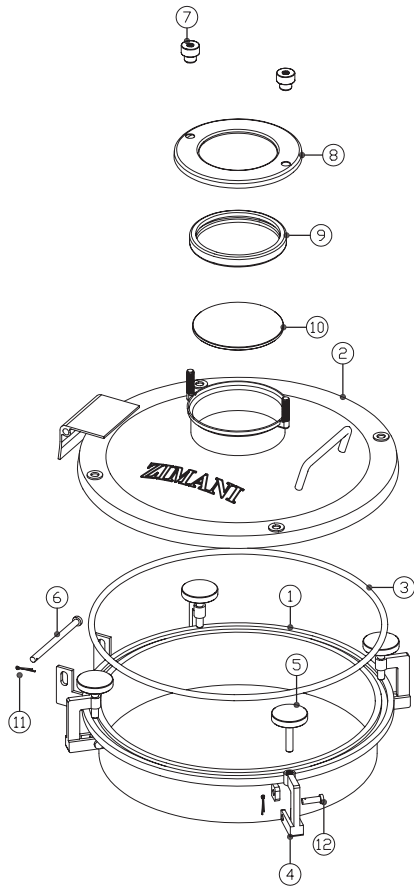
CODE	A	OD×C	B	T	P.MAX
	mm	mm	mm	mm	bar
7024 450	450	456×3.0	100	3.0	0.3

IF YOU WANT TO CHECK FOR MORE DETAILS
PLEASE CHECK THE FOLLOWING DRAWING

*1BAR =14.5PSI=0.1MPA



JPSD Parts Drawing



GASKET		
Part No.	Material	Color
7010-09 1	Silicon	White
7010-09 2	EPDM	Black
7010-09 3	FPM	Black

Item	Description	Material	Qty
1	Frame	1.4301/1.4404	1
2	Cover	1.4301/1.4404	1
3	Gasket	Silicon	1
4	Support	T304	4
5	Handle	T304	4
6	Pin	T304	1
7	Nut	T304	2
8	SG cover	T304	1
9	SG seal	Silicon	1
10	Sight glass	Tempered glass	1
11	Cotter Pin	T304	5
12	Pin	T304	4

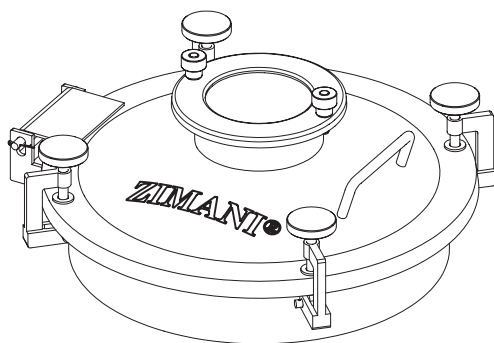
JPSD Technology

TECHNICAL DATA

Working pressure: Acc. to table standard size.

Certificates

EN10204. 3.1 certificate



Options

Stainless Steel Finishes

POLISHED WITH RA (μ)

BEAD BLASTED

PICKLED : ON REQUEST

ELECTRO POLISHED

Cover & Frame Range

Cover Thickness	Frame/Neck Height
2.5mm	85mm (3.35")
3.0mm	100mm (3.94")
	120mm (4.72")
	150mm (5.91")
	200mm (7.76")
	250mm (9.85")

Note: Longer heights are also available.