






-  Round manhole cover with glass pane
-  Trappe ronde avec le verre
-  Runder Domdeckel mit Glasscheibe
-  Tapa circular con el vidrio
-  Chiusino circolare con vetro



- ◆ 7019 450
- ◆ 7019 500
- ◆ 7019 550
- ◆ 7019 600



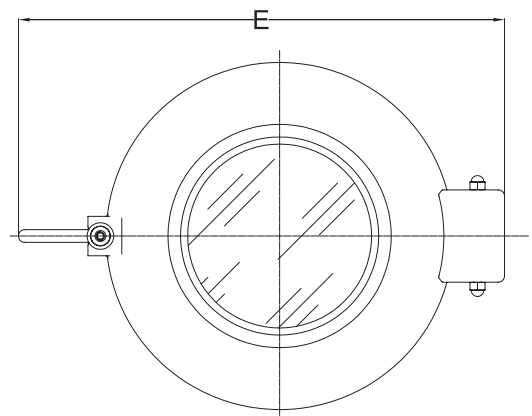
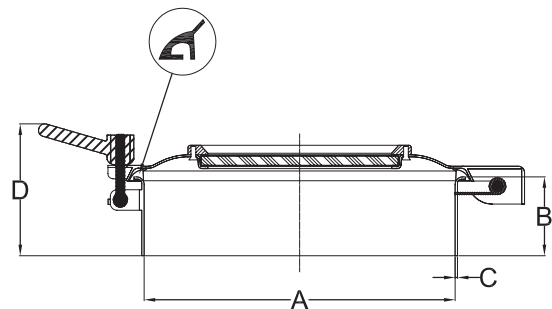
STANDARD SIZE/* At temperature 50°C / 122 °F

CODE	A	OD×C	B	P.MAX
	mm	mm	mm	bar
7019 450	444	450×3.0	100	0.2
7019 500	494	500×3.0	100	0.15
7019 550	544	550×3.0	100	0.07
7019 600	594	600×3.0	100	0

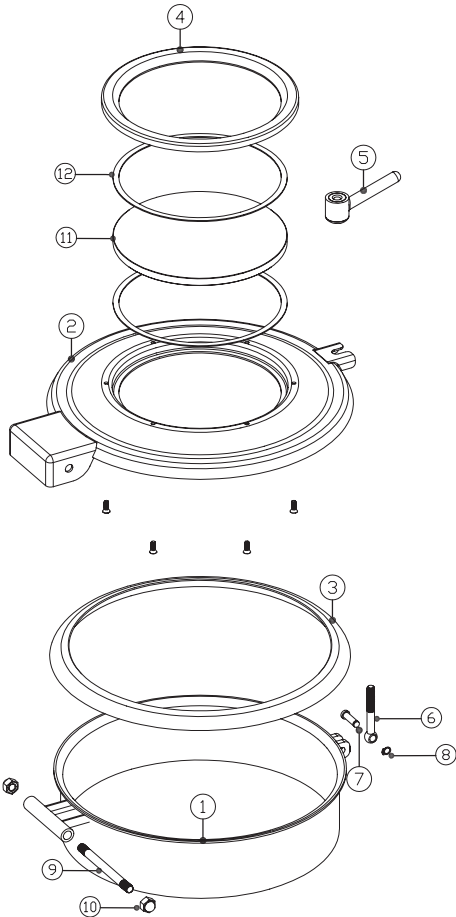
IF YOU WANT TO CHECK FOR MORE DETAILS

PLEASE CHECK THE FOLLOWING DRAWING

*1BAR ≈ 14.5PSI ≈ 0.1MPA



NLIW Parts Drawing



GASKET		
Part No.	Material	Color
7010-01 1	Silicon	White
7010-01 2	EPDM	Black
7010-01 3	FPM	Black

Item	Description	Material	Qty
1	Frame	1.4301/1.4404	1
2	Cover	1.4301/1.4404	1
3	Gasket	Silicon	1
4	Top flange	T304	1
5	Handle	1.4301	1
6	Swing bolt	T304	1
7	Pin	T304	1
8	Lock ring	T304	1
9	Screw	T304	1
10	Nut	T304	2
11	Glass	Tempered glass	1
12	Seal	PTFE	2

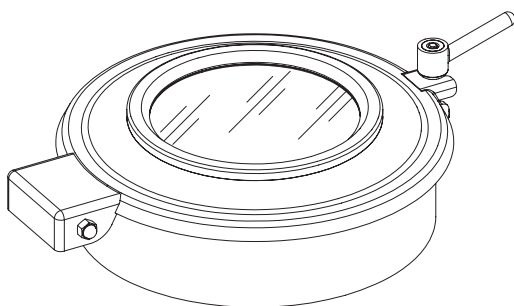
NLIW Technology

TECHNICAL DATA

Working pressure: Acc. to table standard size

Certificates

EN10204. 3.1 certificate



Options

Stainless Steel Finishes

POLISHED WITH RA (μ)

BEAD BLASTED

PICKLED : ON REQUEST

ELECTRO POLISHED

Cover & Frame Range

Cover Thickness	Frame/Neck Height
-----------------	-------------------

2.5mm	85mm (3.35")
-------	--------------

3.0mm	100mm (3.94")
-------	---------------

	120mm (4.72")
--	---------------

	150mm (5.91")
--	---------------

	200mm (7.76")
--	---------------

	250mm (9.85")
--	---------------

Note: Longer heights are also available.