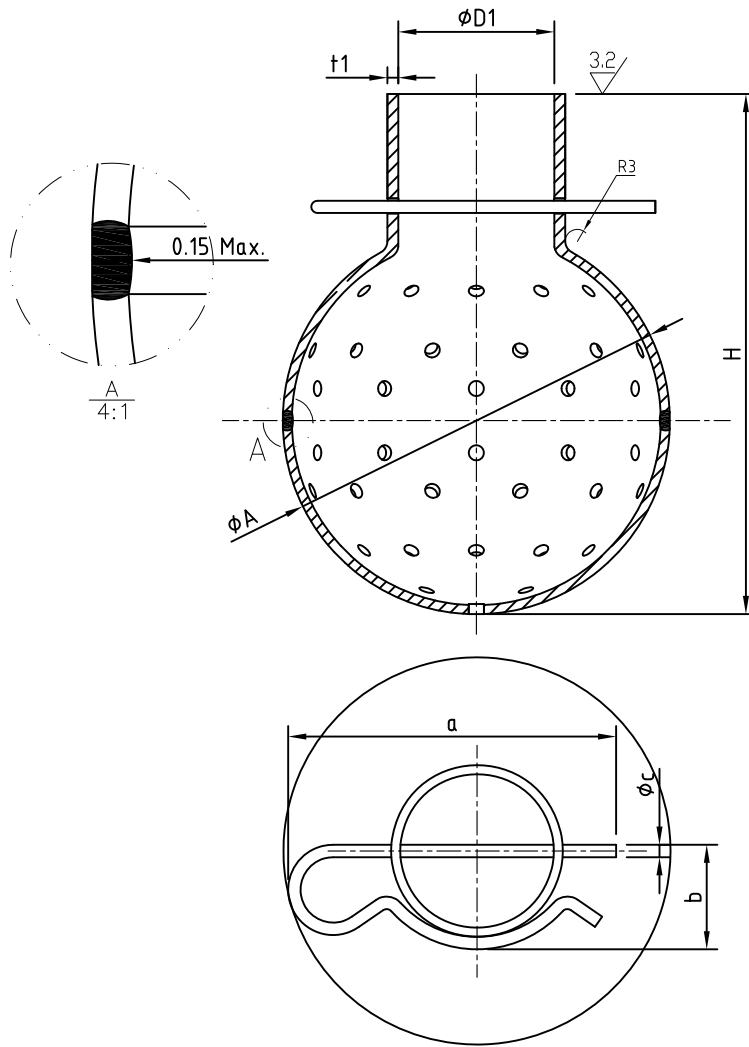


This document is property of **ZIMANI**. not being able to be copied  
 rendered or communicated to third people without previous authorization  
 on the contrary they took legal actions

Destroy after use



SIZE	D1	t1	A	H	a	b	c
1"	25.8	1.8	64	86	54.2	17.3	3.2
1 1/2"	38.4	1.8	75	97.6	80.2	25.6	3.2
2"	51.2	2.3	90	112	106.5	34	4

technical requirements

When welding the weld for smooth,  
 can not have air hole welding defects  
 such as slag, finding defects repair in time

REVISIONS			
ZONE	REV	DESCRIPTION	DATE

0.8 / ( 3.2 / )



<b>ZIMANI</b>		PROJECT: 7002		
		TITLE: Static cleaners-spray balls		
DATE: 2012.02.06	FORMAT: A4	MATERIAL: AISI 304/316L	DWG NO.	WEIGHT Kg.
SCALE:		1 / 6		SHEET