

Installation and Operating Instructions 0158

0093.084.00 a

Lumistar Ex Flashing Luminaire USL 45A-Ex

 II 2G Ex d IIC 120°C Gb
II 2D Ex tb IIIC T120°C Db

Important, please note:


This luminaire is specifically designed as a flasher and intended solely for mounting on vehicles, e. g. fork lift trucks, that operate in explosion hazardous areas. Luminaires for use in potentially explosive environments must be mounted, installed and serviced by staff who hold the relevant qualifications and have been properly trained for this type of work.

Please observe the data set out in the EC type-examination certificate!

General operating conditions:

- Approved for use in Ex-classified environments:
Gas: Zones 1 and 2
Dust: Zones 21 and 22
- Approved for use in ambient temperatures of between -20°C and +40°C.

Electrical data, general:

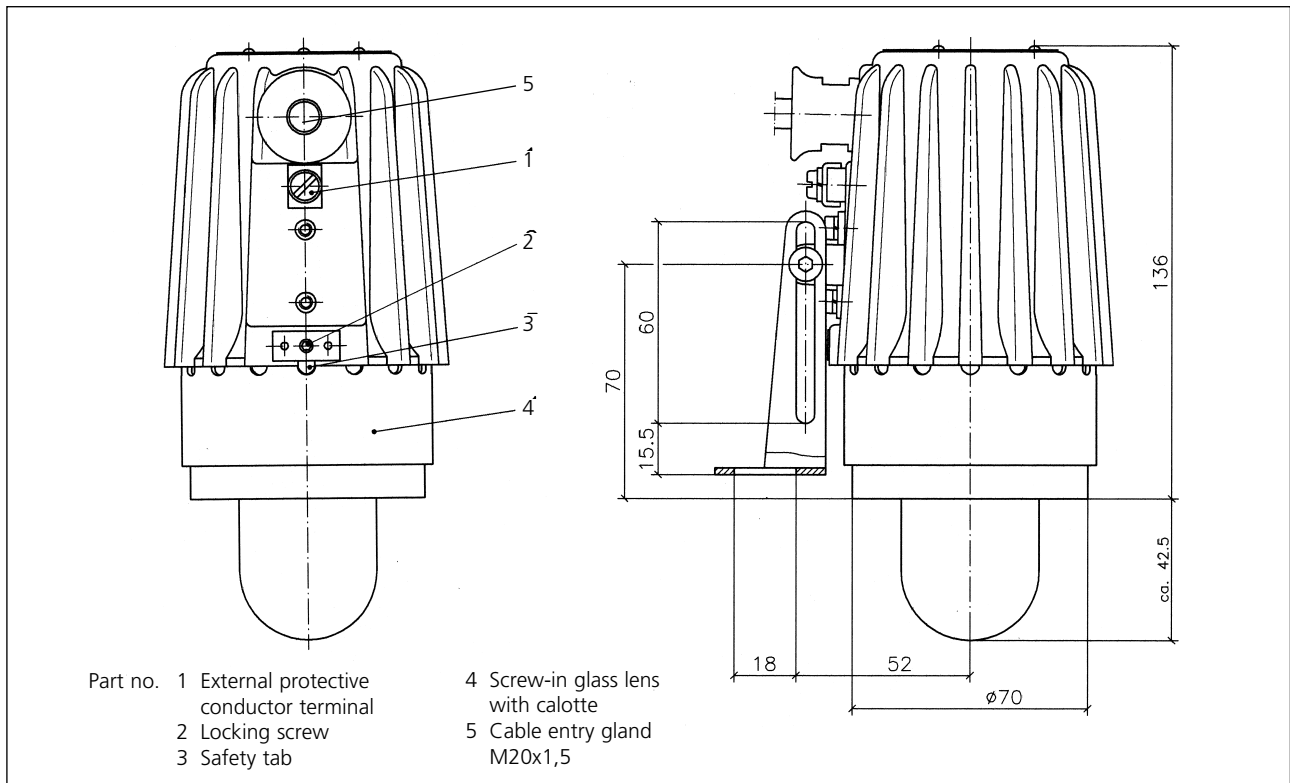
- Voltage, power, temperature class and protection rating are shown on the type plate.
- Ex approval acc. to EC type-examination certificate: BVS 08 ATEX E 134
 II 2G Ex d IIC 120°C Gb
II 2D Ex tb IIIC T120°C Db
- The luminaire is protected against short-circuiting by a miniature fuse:
T 0.63 A for 12 V nominal voltage
T 0.40 A for 24 V nominal voltage
- Voltage: AC / DC
- **Please note:** Over-voltage will cause premature failure of the lamp
- 10% admissible voltage tolerance

Parameters/Temperature classification:

USL 45A-Ex Variant	Nom. Voltage	Ambient temperature range $-20^{\circ}\text{C} \leq T_a \leq +40^{\circ}\text{C}$	
		2G 120°C	2D T120°C
(12 V) 5 W	12 ≈	2G 120°C	2D T120°C
(24 V) 5 W	24 ≈	2G 120°C	2D T120°C



Lumistar Ex flashing luminaire USL 45A Ex with accessories: stainless steel mesh guard and hinged bracket



• Electrical connection:

Conditions/requirements: This Ex-type luminaire has been manufactured with a permanently connected cable. The free ends of this lead must be installed in a category 2G/2D enclosure if connection is to take place in a potentially explosive environment. The luminaire and the area around the installation site should be cleared of dust prior to installation and during maintenance work. The dismantled parts should be protected against dirt, dust and contamination during installation or servicing work. When closing the luminaire, special attention should be paid to ensure that the interior of the lamp is free of dust.

- The luminaire is equipped with an integrated pigtail.
- The connecting cable inside the luminaire has already been connected by the manufacturer and is ready for use.
- The external protective terminal (1) must be connected to a separate operational earth (min. 4 mm²).
- The connecting cable should be secured after max. 1 m.
- Caution! If the cable is being replaced, e. g. by one of a different length, the internal terminals need to be loosened before unscrewing the cable gland.

• Replacing lamp:

- Switch off power.
- Allow sufficient time for cooling down, see type plate.
- Undo locking screw (2) which releases the safety tab (3) for the screw-type glass lens (4).
- Unscrew glass lens (4) using only the special claw spanner.
- The defective lamp is then pulled out (2-pin type).
- Hold the new lamp bulb (original products only, please) using a protective cloth. Please take care not to touch it with your bare fingers. Carefully insert the replacement lamp: push the 2-pin bulb into its socket, making sure the lamp is securely in position!

- Before closing the luminaire, re-lubricate the thread of the screw lens (e. g. with AEMA-SOL 6 B, A. E. Matthes).
- Refit the glass lens (4) by screwing it into place until it is tight again (pressure on O-ring).
- The glass lens (4) is locked into position once the safety locking tab (3) engages in one of the notches.
- Retighten the locking screw (2).
- Switch on power again.
- Warning: When replacing lamp bulbs, make sure that the the light beam is evenly distributed over the glass lens as specified.

• Mechanical installation:

Caution: Do not look into light – Danger of impaired eyesight!
 The hinged bracket is intended for mounting the luminaire on the vehicle. The bracket can be fastened in place by screwing the M6 bolt provided with the hinge into an appropriate hole that has been tapped for this purpose. Alternatively, the hinged bracket can be welded in position.

- **Please note:** Mounting parts and claw spanner must be ordered separately, if needed.

• Replacement parts:

	Part no.
Screw-on glass lens with calotte	1774.101.00
O-ring seal (Viton)	0862.036.00
Halogen lamp 12 V/5 W, G4	3232.221.00

• Accessories:

Hinged bracket	0354.014.00
Mesh guard, stainless steel	2996.002.00
Threaded pin (3x) for mesh guard	7446.000003
Claw spanner	6816.001.00

• Servicing:

- Keep luminaire clean.
- Use only original spare parts.

Subject to change without prior notice – Dimensions in mm unless otherwise stated 11.15