



Tubular level indicator PN 25

Level indicator with threads or flanges

Type 460



APPLICATION:

For liquid level indication on vessels, boilers, tanks and silos. Designed for up to 25 bar operating pressure with threaded or flanged connection. Including additional single-sided outlet for complete emptying. Optional impact protection available with or without indicator scale.

INSTALLATION NOTE:

When installing, make sure that the sockets are exactly aligned in order to avoid tension in the glass tube! Do not use the indicator as a load-bearing component.

Rear flange or thread connection
($\Delta P \leq 25$ bar)

Operating conditions:

Temperature: (depending on glass and gasket)	200 °C	
Pressure:	$\leq 25^1$	Bar

¹ depending on version (see table on following page)

IMPACT PROTECTION:

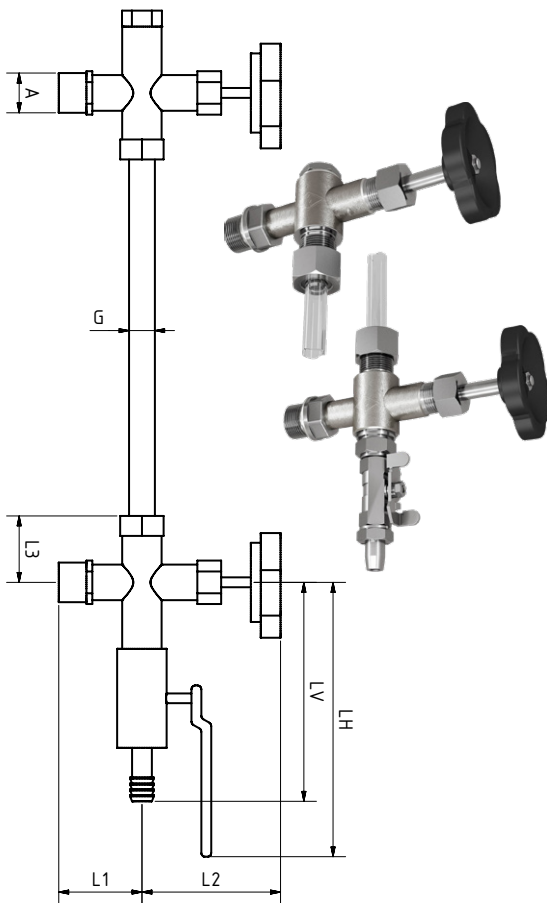
An impact protection can be used against unintentional damage to the glass tube. This impact protection is made of Plexiglas specially manufactured for ACI. In order to minimize bending stresses, an impact protection may also be used.

Materials:

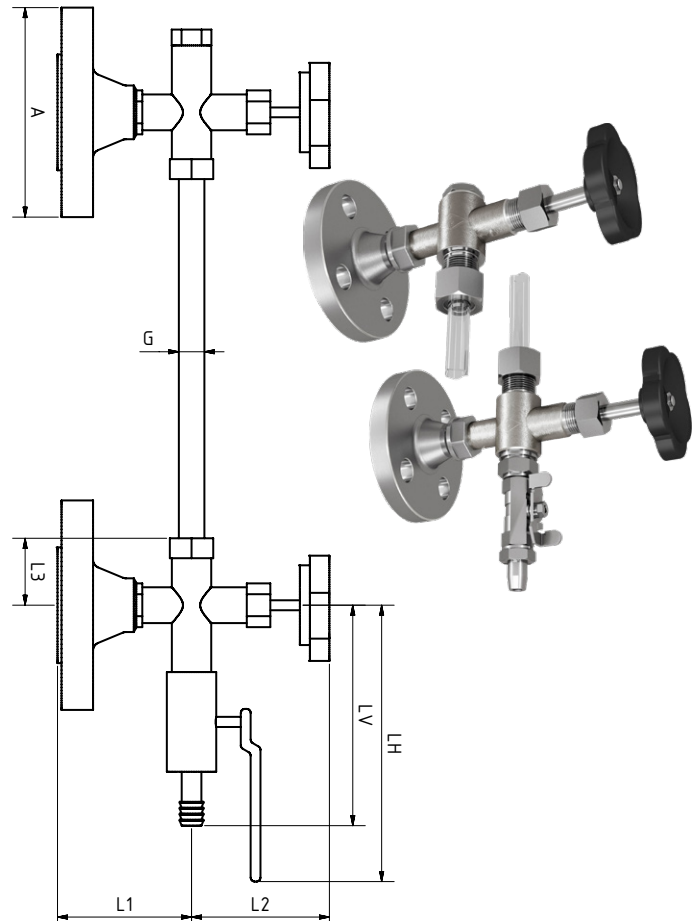
Socket:	1.4571
Glass tube:	borosilicate glass
Gasket:	PTFE
Impact protection:	Plexiglas tube with or without display scale
Special materials on request	



THREADED CONNECTION



FLANGED CONNECTION



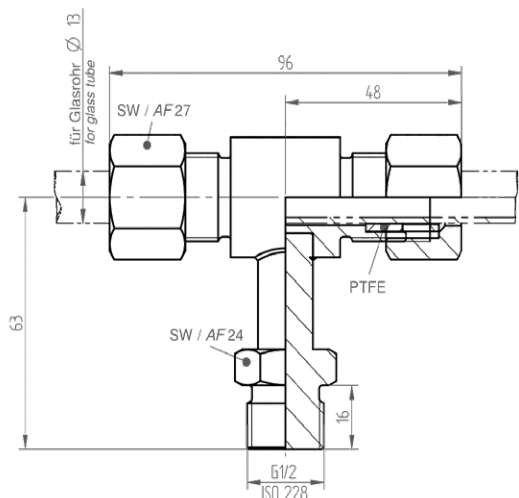
A	G 1/2"	G 3/4"	G 1"	DN 15	DN 20
L1	47	79	80	85,5	108
L2	16	16	20	98	98
L3	44	46,5	57	47	52
LV	94	97	97	94	97
LH	119	122	122	119	122
G	13	16	20	13	20
PS max (bar)	25	25	20	25	20

OVERALL LENGTH:

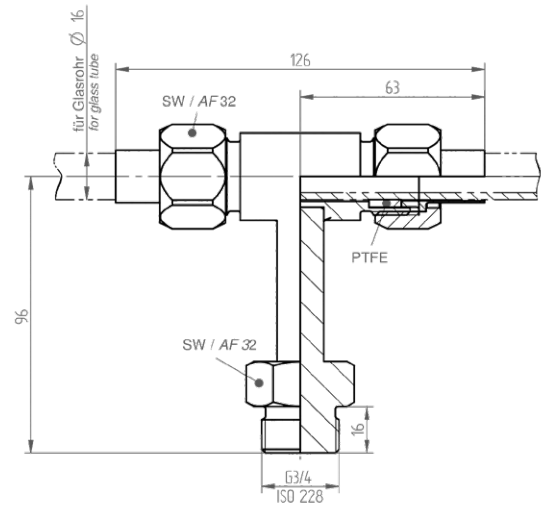
For overall lengths exceeding 1500mm, additional intermediate supports are required! For such cases we point out to its necessity. The dimensions of the intermediate supports can be found in the drawings on the next page.

DIMENSIONS GLASS TUBE INTERMEDIATE SUPPORT AND MOUNTING OPTIONS

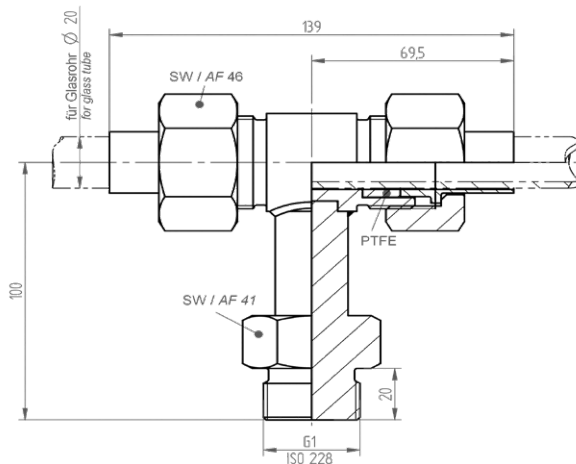
G 1/2" AND DN 15



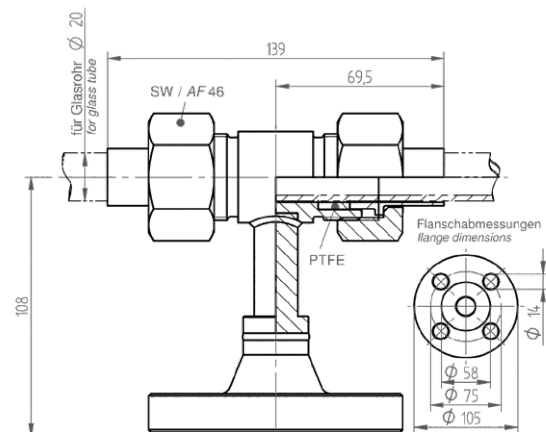
G 3/4"



G 1"



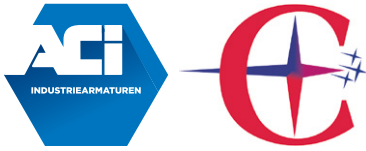
DN 20



Contact in Germany:

Contact in Poland:
Continental Trade Sp. z o.o.
office@continentaltrade.com.pl
<http://continentaltrade.com.pl>

Technical changes and errors reserved!



Tubular level indicator PN 25

Level indicator with threads or flanges

Type 460

PRODUCTCODE:

Group	TYPE	Connection	Nominal diameter	centre-to-centre distance	Impact protection / Indicator scale
11	460	1: Thread 2: Flange	1: G 1/2" / DN 15 2: G 3/4" / DN 20 3: G 1"	On request	1: with impact protection 2: without impact protection 3: with impact protection and indicator scale

INFO: Unless otherwise stated, the factory standard highlighted is supplied.

SPECIAL DESIGNS/OPTIONS:

- a) Impact protection
- b) Impact protection with indicator scale
- c) Further options on request

EXAMPLE:

11-460-2-2-1000-1 equals the product code:
ACI Type 460
flange version
DN 20
1000 mm centre-to-centre distance
with impact protection

RECOMMENDATION:

To minimize bending stresses, an impact protection is recommended!