

APPLICATION:

For observation of filling and flow in pipelines. This sight glass allows reliable monitoring of the function and performance of individual equipment as well as entire installations.

With standard sight glasses, pipelines that must be completely emptied have a residual liquid in the sight glass area. **With this sight glass fitting, virtually almost no residual liquid remains when installed horizontally!** Double glazing offers increased protection compared to single glazing.

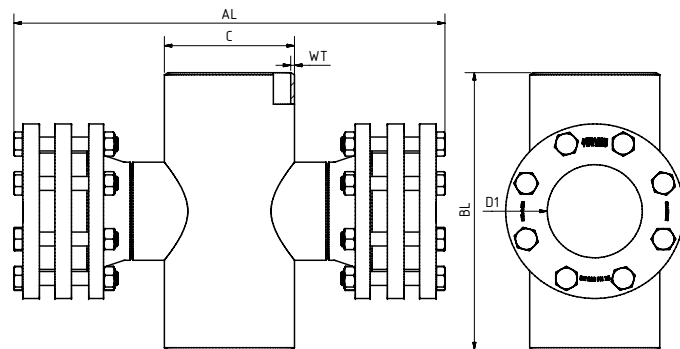
INSTALLATION NOTE:

After the base body has been welded in, check whether the sealing surfaces have warped! If necessary, rework must be performed! For the welding process it is advisable to weld in the sight glass in the disassembled state or use low heat exposure. In case of non-compliance, the glasses can be damaged. Note the torques required for assembly!

**With welding ends
and double glazing
($\Delta P \leq 10 / 16 / 25 / 40 / 63$ bar)**

Operating conditions:

Temperature: (depending on glass and gasket)	150°C 280 °C
Pressure:	≤ 10 to 63 Bar



Materials:

Body:	1.4571; 1.4539; 1.4404
Glass:	Borosilicate glass DIN 7080 Soda lime glass DIN 8902 Quartz glass Mica META® glass
Gasket:	PTFE; FKM; NBR; C4400; Silicone; EPDM; Graphite
Screws:	A4-70
Special materials on request	

DN	40	50	80	100	125	150	200	250	300	350	400
BL	200	230	310	350	400	480	600	730	850	980	1100
D1	35	45	55	83	107	132	160	160	160	160	160
AL ²	335	360	430	480	530	574	698	816	935	1060	1110
C	48,3	60,3	88,9	114,3	139,7	168,3	168,3	219,1	273	355,6	406,4
WT	2,6	2,9	3,2	3,6	4	4,5	6,3	7,1	8	8,8	11

² other dimensions on request
Dimensions acc. to PN 16, other pressure ratings may vary

Special dimensions and other standards on request



Flow sight glass PN 10 to PN 63

Flow sight glass with welding ends and double glazing

Type 531D

PRODUCTCODE:

Group	TYPE	DN	PN	Body*	Glass	Gasket	Variant
11	531D	1: 40 2: 50 3: 80 4: 100 5: 125 6: 150 7: 200 8: 250 9: 300 10: 350 11: 400 12: Special	0: 10 1: 16 2: 25 3: 40 4: 63 5: Special	1: 1.4571 2: 1.4404 3: 1.4539 4: Special	1: Borosilicate glass (Boro) DIN 7080 2: Soda lime glass (NKG) DIN 8902 3: Quartz glass 4: Boro + Mica 6: META®-Glas	1: PTFE 2: FKM 3: NBR 4: C4400 5: Silicone 6: EPDM 7: Graphite 8: Special	Assigned by ACI if required

INFO: Unless otherwise stated, the factory standard highlighted is supplied.

* Cover flanges made of body material or according to quotation / order confirmation

SPECIAL DESIGNS/OPTIONS:

- a) Single glazing (Type 531)
- b) Mica protection
- (c) FEP protective screen
- d) LED or halogen lights, ATEX-certified, EX
- e) Additional options on request

EXAMPLE:

11-531D-10-1-1-1-7-0 equals the product code:

ACI Type 531D
DN350
PN16
body 1.4571
borosilicate glass
gasket graphite
standard version

RECOMMENDATION:

For aggressive media or steam, mica discs should be used to protect the glass.

Kontakt w Niemczech
ACI Industriearmaturen GmbH
Tel. +49 (0) 2403 748 850
info@aci24.com • www.aci24.com

Kontakt w Polsce:
Continental Trade Sp. z o.o.
tel. +48 22 670 11 81
office@continentaltrade.com.pl
http://continentaltrade.com.pl

20200210

Technical changes and errors reserved!