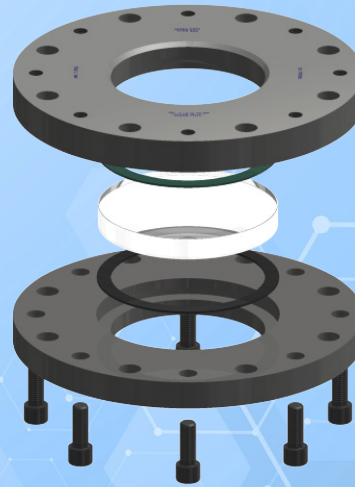




# Round sight glass fitting PN 10 / 25 - vacuum

Flange mounting similar to DIN 28121

## Type 324



### APPLICATION:

Observation and illumination of the interior of closed vessels (boilers, tanks, silos, etc.). Sightglasses similar to DIN 28121 are round flange sockets for screwing onto flanges, completed with a sightglass plate inserted between the gaskets and firmly screwed. Due to the special gasket an application for vacuum vessels is possible without any problems.

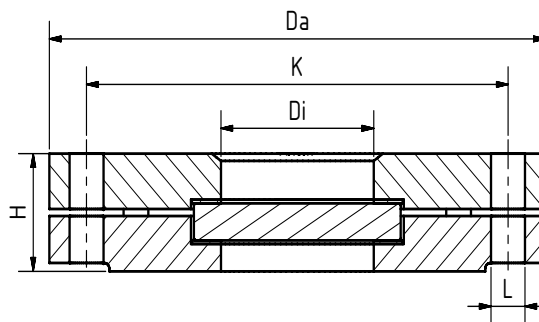
### INSTALLATION NOTE:

Gaskets suitable for the sealing surfaces should be used. The screw material should be equivalent to or higher than those of the sight glass body. Always use screws that match the hole pattern. If possible, the screw thread and the screw head should be lubricated.

Similar to DIN 28121  
vacuum-suitable  
( $\Delta P = -1^1$  bis 10 / 25 bar)

### Operating conditions:

Temperature: (depending on glass and gasket)	150 °C 280 °C
Pressure:	-1 <sup>1</sup> bis 10 / 25 Bar



### Materials:

Flange:	1.4571, 1.4541, 1.4404, 1.4539, 1.4306, 1.4435, 1.4462, P265GH
Glass:	Borosilicate glass DIN 7080 Soda lime glass DIN 8902
Gasket:	Graphite or according to requirements (special)
Screws:	A4-70
Special materials on request	

DN	40	50	80	100	125	150	200
Di	48	65	80	100	125	125	150
H (PN10)	36	38	46	46	54	54	54
H (PN25)	38	41	50	59	66	66	66
Da	According to DIN EN 1092-1						
L							
K							

<sup>1</sup> Depending on environment variables



# Round sight glass fitting PN 10 / 25 - vacuum

Flange mounting similar to DIN 28121

## Type 324

### PRODUCTCODE:

Group	TYPE	PN	DN	Flange	Glass	Gasket	Variant
11	324	1: 10 2: 25	40 50 80 100 125 150 200	1: 1.4571 2: 1.4541 3: 1.4404 4: 1.4539 5: 2.4605 6: C-Stahl 7: Special	1: Borosilikatglas (Boro) DIN 7080 2: Soda lime glass (SLG) DIN 8902 3: Quartz glass 4: Boro + PTFE- Wiper 5: Boro + silicone- Wiper 6: SLG + PTFE- Wiper 7: SLG + silicone- Wiper	7: Graphite 8: Special	Assigned by ACI if required

**INFO:** Unless otherwise stated, the factory standard highlighted is supplied.

### SPECIAL DESIGNS/OPTIONS:

- a) Wiper SWI or SWII with PTFE or silicone Wiper blade
- b) Spray device SVII
- c) LED or halogen lights, ATEX-certified, EX
- d) FEP protective shield
- e) Additional options on request

### EXAMPLE:

**11-324-1-100-1-1-1-0 equals the product code:**

ACI Type 322  
PN10  
DN100  
flanges 1.4571  
borosilicate glass  
gasket graphite  
standard version

### ATTENTION!

The pressure-temperature limits according to DIN EN 1092-1 apply!

Our tool of the same name is available on our website for this purpose.  
([www.ACI24.com](http://www.ACI24.com), in the category Service, Tools)



### RECOMMENDATION:

For aggressive media or steam, mica discs should be used to protect the glass.

Contact in Germany:  
ACI Industriearmaturen GmbH  
Tel. +49 (0) 2403 748 850  
[info@aci24.com](mailto:info@aci24.com) • [www.aci24.com](http://www.aci24.com)

Contact in Poland:  
Continental Trade Sp. z o.o.  
[office@continentaltrade.com.pl](mailto:office@continentaltrade.com.pl)  
<http://continentaltrade.com.pl>

20190916

Technical changes and errors reserved!