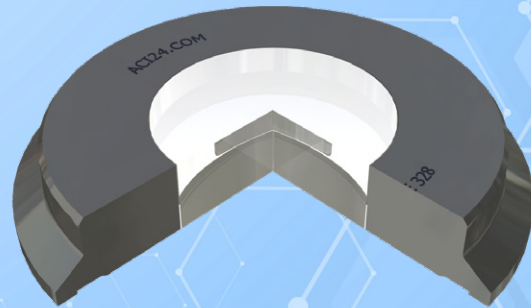




# Aseptic sight glass PN 16

Clamp connection according to DIN 32676

# Type 328



### APPLICATION:

Metaglass sight glasses for clamp connections offer all the advantages of META® glass and are shaped according to DIN 32676.

The sight glass can be mounted directly to a flange. The seal against the flange is provided by an O-ring, dead spaces are minimised by the flat bearing surface.

### TECHNICAL DATA:

Manufactured according to the test specifications of DGRL 2014/68/EU, AD 2000 data sheets and the DIN 7079 standard. Materials and material properties according to VdTÜV sheets and the DIN/EN standards provided for this purpose. The Glass quality corresponds to borosilicate glass according to DIN 7080 / DIN 7079.

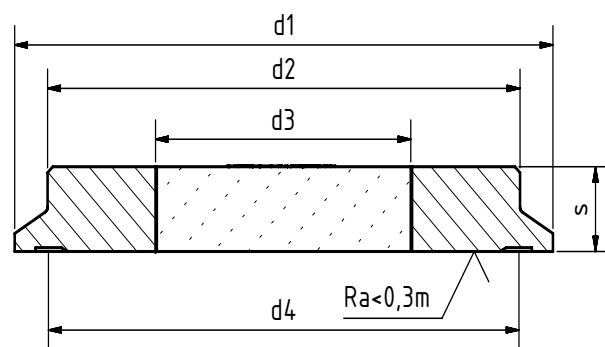
According to DIN 32676  
( $\Delta P \leq -1^1$  bis 16 bar)

### Operating conditions:

Temperature: (depending on glass and gasket)	-30 °C up to 280 °C (1.4462) -60 °C up to 300 °C (1.4602 und 1.4610)
Pressure:	$\leq -1^1$ up to 16 Bar

### Materials:

Flange:	1.4462; 1.4602; 1.4610
Glass:	Borosilicate glass DIN 7080 / 7079
Special materials on request	



DN	10	15	20	25	32	40	50	65	80	100	125	150	200	250	300
d1	34	34	34	50,5	50,5	50,5	64	91	106	119	155	183	233,5	287,5	338,3
d2	23	23	23	41	41	41	52	76	90	101	138	160	210	266	326
d3	14	14	14	25	25	25	30	40	50	55	70	80	100	140	150
d4	27,5	27,5	27,5	43,5	43,5	43,5	56,5	83,5	97	110	146	174,3	225,1	278,4	328,4
s	8	8	8	10	10	10	10	10	10	12	16	16	18	22	22
Pmax	25	25	25	16	16	16	16	10	10	10	6	6	6	6	6

<sup>1</sup> depending on environmental variables



# Aseptic sight glass PN 16

Clamp connection according to DIN 32676

# Type 328

## PRODUCTCODE:

Group	TYPE	DN	Ring	Variant
11	328	10	1: 1.4462	Assigned by ACI if required
		15	2: 1.4602	
		20	3: 1.4610	
		25		
		....		
		150		
		200		
		250		
		300		

**INFO:** Unless otherwise stated, the factory standard highlighted is supplied.

## SPECIAL DESIGNS/OPTIONS:

- a) Wiper
- b) LED or halogen lights, ATEX-certified, EX

## EXAMPLE:

**11-328-150-1-000** equals the product code:  
ACI Type 328  
DN150  
Ring 1.4462  
standard version



## RECOMMENDATION:

For aggressive media or steam, mica discs should be used to protect the glass.

Contact in Germany:  
ACI Industriearmaturen GmbH  
Tel. +49 (0) 2403 748 850  
info@aci24.com • www.aci24.com

Contact in Poland:  
Continental Trade Sp. z o.o.  
office@continentaltrade.com.pl  
http://continentaltrade.com.pl

20190917

Technical changes and errors reserved!