

# Round sight glass fitting

## Metal to metal contact seal

High temperature operation, similar to DIN 28121

# Type 323

### Application:

Observation and illumination of the interior of closed vessels (boilers, tanks, silos etc.). Type 323 sight glass fittings are equipped with suitable materials to allow operation at up to 400 °C.

Similar to DIN 28121

Operating pressure  
PN10 or PN25

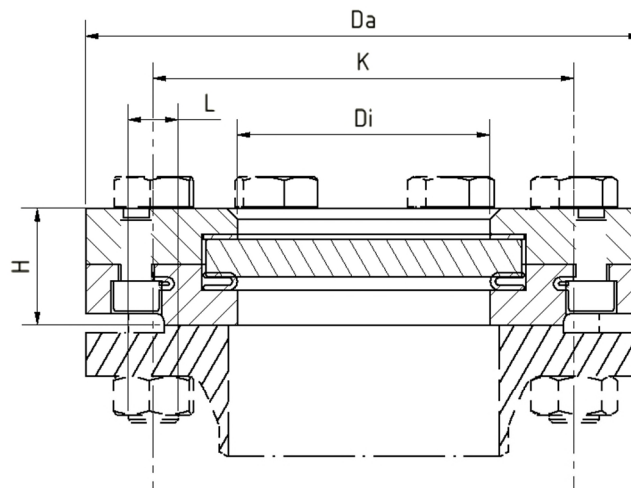
### Operating conditions:

Temperature:	400	°C
Pressure:	PN 10	
	PN 25	

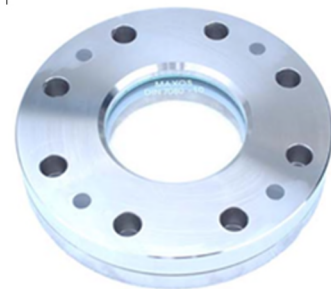
### Materials:

flange:	1.4541, 1.4571, 2.4605 etc.
Glass:	Borosilicate glass DIN 7080
	Quartz glass
gasket:	Graphite composite gasket
bolts:	A4-80

Other materials on request



DN	40	50	80	100	125	150	200
Di	48	65	80	100	125	125	150
H (PN10)	36	38	46	46	54	54	54
H (PN25)	38	41	50	59	66	37,2	37,2
Da	According to DIN EN 1092-1						
L	According to DIN EN 1092-1						
K	According to DIN EN 1092-1						



### Installation guideline:

Flange mounting is considered and required for design tightness.

Technical changes and errors reserved!

ACI Industriearmaturen GmbH  
www.aci24.com • info@aci24.com

Contact in Poland:

Continental Trade Sp. z o.o.  
www.continentaltrade.com.pl • biuro@continentaltrade.com.pl  
Version 2018-02-23

 	<h1>Round sight glass fitting</h1> <h2>Metal to metal contact seal</h2> <p>High temperature operation, similar to DIN 28121</p>	<h1>Type 323</h1>
--	---	-----------------------

### Product Code:

		PN	DN	Flange	Glass	gasket	Variants
11	323	1: 10 2: 25	Acc. To table	1: 1.4571 2: 1.4541 3: 1.4571 /1.4541 6 2.4602 /1.4571 7: 2.4605 /1.4571	1: Borosilicate glass 2: Soda Lime Glass 3: Quartz glass 9: Sapphire glass	7: Graphite 8: KLINGERmilam	Assigned as required

### Options

- a) LED or halogen lighting, available with ATEX certificate
- b) Other options of request

**ACI Type 323**

PN10  
DN100

Example: Flange 1.4571 / 1.4571                      11-323-1-100-1-1-7-0  
Borosilicate glass  
Graphite gasket  
Standard construction

**Recommendation:**  
For corrosive media we recommend adding a mica disk to protect the glass.