

# Sight Glass flange

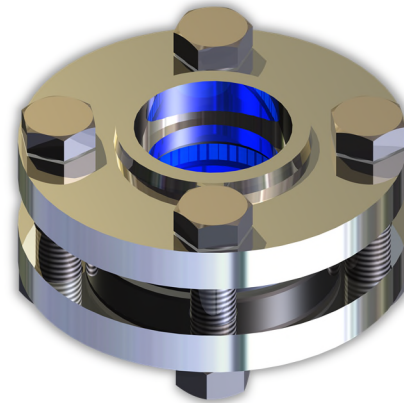
## ANSI Slip On Flange version

For welding

**Type**  
**393**

### Application:

Slip On Sight Glass Flanges are suitable for T-junctions or pipe sockets. Possible uses include any case where visual inspection of flow or filling processes is desired. Since they are equally suited for liquids and gases, they are useful for special construction in any industry.

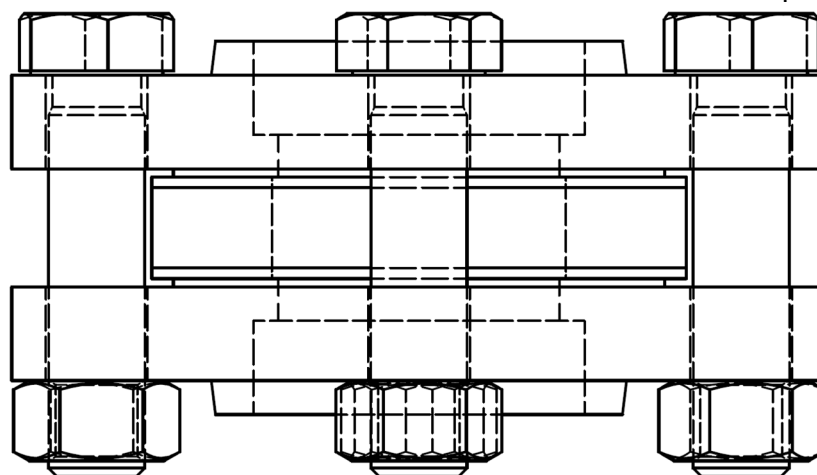


### Materials:

Flange:	S235JRG2 1.4571
Glass:	Borosilicate glass DIN 7080 (max. 280°C) Soda Lime Glass DIN 8902 (max. 150°C) Quartz Glass (max. 500°C, Special Construction)
Dichtung:	PTFE (200°C) FKM (200°C) NBR (100°C) C4400 (150°C) Silicone (200°C) EPDM (140°C) Graphite (280°C)

**Caution!**  
Sight Glass must be  
disassembled for welding!

Other materials on request



All lengths according to ANSI standard!

Technical changes and errors reserved!

ACI Industriearmaturen GmbH  
www.aci24.com • info@aci24.com

Contact in Poland:

Continental Trade Sp. z o.o.  
www.continentaltrade.com.pl • biuro@continentaltrade.com.pl  
Version 2017-07-15

 	<h1>Sight Glass flange</h1> <h2>ANSI Slip On Flange version</h2> <p>For welding</p>	<h1>Type 393</h1>
--	---	-------------------

Produktcode:

		DN	Class	Flange	Glass	Seal
11	393	Acc. To standard	Acc. To standard	1: S235JRG 2: 1.4571 5: Duplex	1: borosilicate glass 2: Soda Lime Glass 5: Quartz Glass	1: PTFE 2: Viton 3: NBR 4: C4400 5: Silicone 6: EPDM 7: Graphite 8: Special

Example: **ACI Type 393**  
 2", #150  
 Flange 1.4571  
 Borosilicate glass  
 Seal PTFE

11-393-002-150-2-1-1

**Recommendation!**  
 For corrosive media or steam we recommend mica disks!