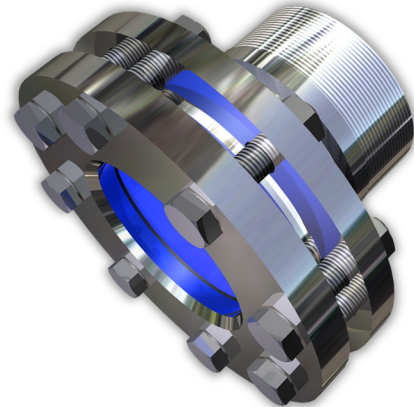


### Application:

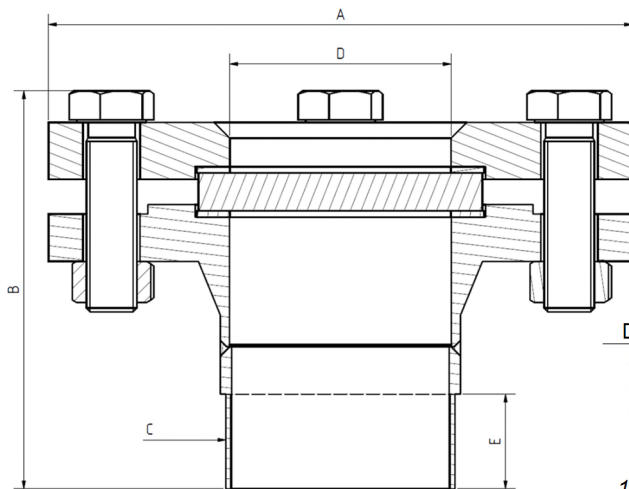
Sight Glass Flanges with threaded connection are suitable for installation on pipes, boilers, tanks and devices of all kinds. They can be installed wherever visual observation of filling processes or flows is desired. Equally suitable for liquids and gases, they are especially recommended for special constructions in several applications.



### Materials:

Flange:	S235JRG2 1.4571
Glass:	Borosilicate glass DIN 7080 (max. 280°C) Soda Lime Glass DIN 8902 (max. 150°C) Quartz Glass (max. 500°C, Special construction)
Dichtung:	PTFE (200°C) FKM (200°C) NBR (100°C) C4400 (150°C) Silicone (200°C) EPDM (140°C) Graphite (280°C)

Other materials on request



DN	A	B	C	D	E	kg
25	115	102.5	R 1	28,5	20	2.7
40	150	119	R 1.5	43,1	22	4.6
50	165	124	R 2	55	26	6.0
65	185	126	R 2.5	70,1	30	7.2
80	200	146	R 3	82,5	34	9.6
100	220	151	R 4	107	40	11.2

(Measurements for PN 16. Other sizes and threading standards available on request)

Technical changes and errors reserved!

ACI Industriearmaturen GmbH  
www.aci24.com • info@aci24.com

Contact in Poland:

Continental Trade Sp. z o.o.  
www.continentaltrade.com.pl • biuro@continentaltrade.com.pl  
Version 2017-07-14

 	<h1>Sight Glass</h1> <h2>With Thread Connection (BSP)</h2> <p>PN16</p>	<h1>Type 392</h1>
--	--	-------------------

Product Code:

DN	Flange	Glass	Seal	Variants
11 392	Acc. To table 1: S235JRG 2: 1.4571 3: Base flange VA, Cover flange St. 4: Base flange St., Cover flange VA 5: Duplex	1: Borosilicate glass 2: Soda Lime glass 3: Quartz glass 4: BS + PTFE Wiper 5: BS + Sil. Wiper	1: PTFE 2: Viton 3: NBR 4: C4400 5: Silicone 6: EPDM 7: Graphite 8: Special	Assigned by ACI as required

**ACI Type 392**  
 DN100  
 Flange 1.4571  
 Borosilicate glass  
 Seal PTFE  
 Standard construction  
 Example: 11-392-100-2-1-1-000

**Caution!**  
 Observe pressure-temperature ratings acc. to DIN EN 1092-1!  
 For corrosive media or steam, we recommend mica disks!

