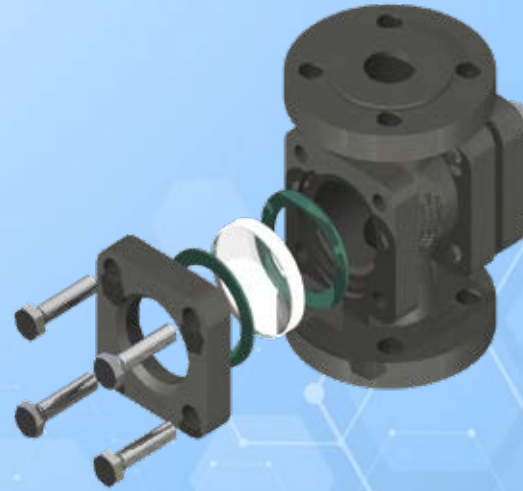




# Flow sight glass CLASS 150 / 300

With flange connections according to ASME 16.5 B

# Type 550A



### APPLICATION:

For observation of filling and flow in pipelines. This sight glass allows reliable monitoring of the function and performance of individual equipment as well as entire installations.

Type 550A flow sight glasses are suitable for mounting on flanges according to ASME 16.5 B. The sight glasses are supplied pre-assembled and ready for installation.

### INSTALLATION NOTE:

Gaskets suitable for the sealing surfaces should be used. The screw material should be equivalent to or higher than those of the sight glass body. Always use screws that match the hole pattern. If possible, the screw thread and the screw head should be lubricated.

Flow sight glass similar to **DIN 3237** with flange connections acc. to **ASME 16.5 B CLASS 150 / 300** ( $\Delta P \leq 16 / 40$  bar)

### Operating conditions:

Temperature:	150 °C (depending on glass and gasket)	280 °C
--------------	---	--------

Pressure:	$\leq 16 / 40$	Bar
-----------	----------------	-----

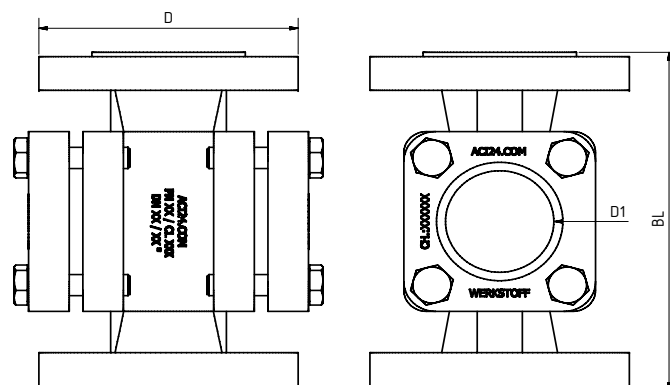
CLASS:	150 / 300
--------	-----------

### Materials:

Body:	GG25; GS-C 25; 1.4408
Glass:	Borosilicate glass DIN 7080 Soda lime glass DIN 8902
Gasket:	PTFE; FKM; NBR; C4400; Silicone; EPDM; Graphite
Screws:	A4-70
Special materials on request	

### DESIGN:

DN15 - 50 Square flange version  
(see illustration)  
DN65 - 200 Round flange version



DN	1/2"	3/4"	1"	1 1/4"	1 1/2"	2"	2 1/2"	3"	4"	5"	6"	8"
D (CL 150)	89	98	108	118	127	152	178	191	228	254	279	343
D (CL 300)	95,2	117,3	123,8	133,4	155,6	165,1	190,5	209,6	254	279,4	317,5	381
BL	130	150	160	180	200	230	290	310	350	400	480	600
D1	32	32	48	48	65	80	80	100	125	150	175	175

With ASME flanges similar to DIN 3237

## VARIANTS:

### ROTOR PLASTIC (120°C) OR PTFE (260°C):

A liquid flow is indicated through rotation of the rotor. As a result, flow control is much easier and quicker to detect.



### FLAP MADE OF 1.4571:

A liquid flow is indicated by opening and moving the flap. In this way it is easier and quicker to check the flow rate.



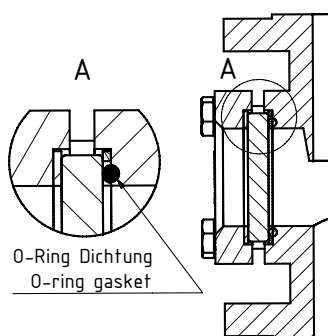
### VACUUM VERSION WITH O-RING:

In the case of vacuum, there is a risk whereby the gasket can be pulled inwards and the external medium can enter the valve. For medium vacuum, a PTFE seal should be used, for higher vacuum, an O-ring seal made of Viton is required.



### DOUBLE GLAZING:

Double glazing ensures additional safety in the case of damage to the inner glass. The additional glass prevents distribution of medium and possible glass splinters in case of damage or even destruction of the inner glass.





# Flow sight glass CLASS 150 / 300

With flange connections according to ASME 16.5 B

## Type 550A

### PRODUCTCODE:

Group	TYPE	NPS	CLASS	Body*	Glass	Gasket	Variant
11	550A	1: 1/2" 2: 3/4" 3: 1" 4: 1 1/4" 5: 1 1/2" 6: 2" 7: 2 1/2" 8: 3" 9: 4" 10: 5" 11: 6" 12: 8" 13: Special	1: 150 2: 300	1: GG25 2: GS-C25 3: <b>1.4408</b> 8: Special	1: <b>Borosilicate glass (Boro) DIN 7080</b> 2: Soda lime glass (NKG) DIN 8902 3: Quartz-glas 4: META®-Glas 8: Special	1: PTFE 2: FKM 3: NBR 4: <b>C4400</b> 5: Silicone 6: EPDM 7: Graphite 8: Special	0: Standard variant 1: Rotor PTFE (260°C) 2: Rotor plastic (120°C) 3: Flap 1.4571 4: Vacuum version 5: Double glazing  Assigned by ACI if required

**INFO:** Unless otherwise stated, the factory standard highlighted is supplied.

\* Cover flanges made of body material or according to quotation / order confirmation

### SPECIAL DESIGNS/OPTIONS:

- a) Rotor made of PTFE or plastic
- b) Flap made of 1.4571
- c) Vacuum version with O-ring
- d) double glazing
- e) LED or halogen lights, ATEX-certified, EX certified
- f) Other options on request

### EXAMPLE:

**11-550A-10-1-3-1-7-1 equals the product code:**

ACI Type 550A  
NPS 5"  
CLASS 150 (PS 16 bar)  
body 1.4408  
borosilicate glass  
gasket graphite  
with PTFE rotor

### ATTENTION!

The pressure-temperature limits according to DIN EN 1092-1 apply!

Our tool of the same name is available on our website for this purpose.

([www.ACI24.com](http://www.ACI24.com), in the category Service, Tools)



### RECOMMENDATION:

For aggressive media or steam, mica discs should be used to protect the glass.

Kontakt w Niemczech  
ACI Industriearmaturen GmbH  
Tel. +49 (0) 2403 748 850  
[info@aci24.com](mailto:info@aci24.com) • [www.aci24.com](http://www.aci24.com)

Kontakt w Polsce:  
Continental Trade Sp. z o.o.  
tel. +48 22 670 11 81  
[office@continentaltrade.com.pl](mailto:office@continentaltrade.com.pl)  
<http://continentaltrade.com.pl>

20191108

Technical changes and errors reserved!