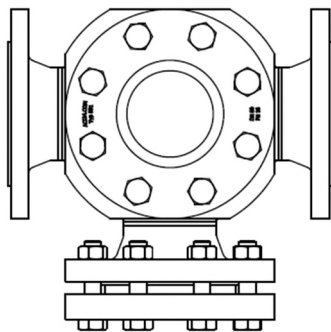
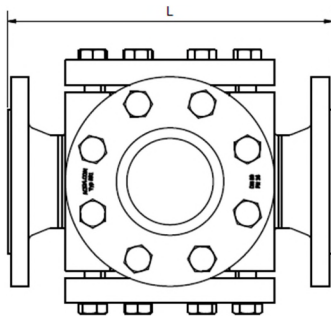
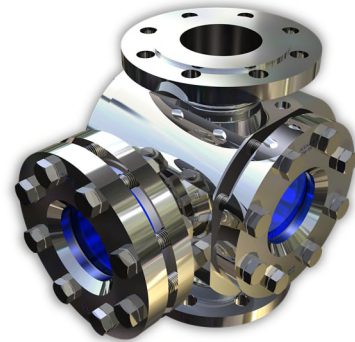


Application:

Visual Checking of Filling and Flows in Piping. Sight Glasses allow for reliable Observation of Function and Performance in single devices or complete plants.

Type 591 allows observation of the flow from three sides without sacrificing stability.



Materials:

Body	1.4571 1.4404 Steel
Glass:	Borosilicate glass DIN 7080 Soda Lime glass DIN 8902 Quartz glass META®-Glass
Seal:	Graphite MST or as specified Other materials on request

Operating conditions:

Pressure:	PN16 PN40
Temperature:	150°C (DIN 8902) 280°C (DIN 7080)

DN	40	50	65	80	100
L	350	400	480	600	730

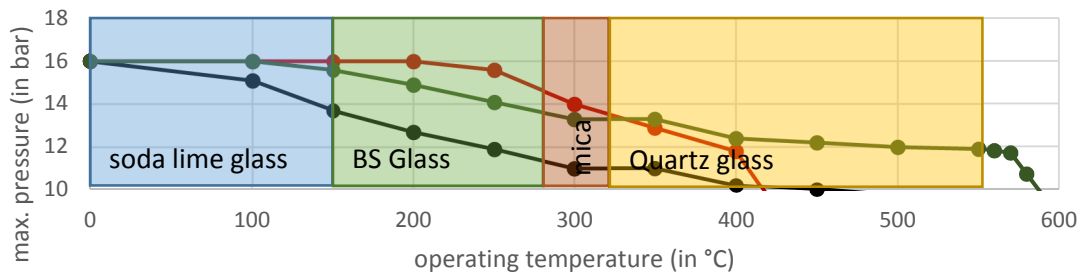
Other sizes on request

High Pressure Version:
Available on request.

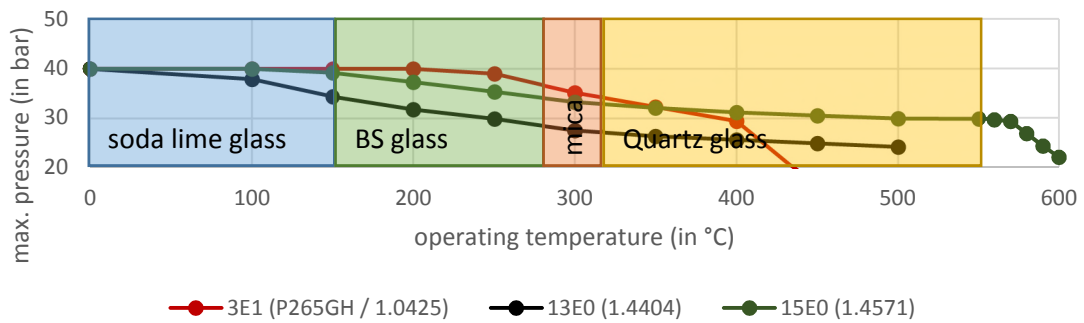
Recommendation:
For aggressive media or steam, mica disks should be added to protect the glass.

Technical changes and errors reserved!

temperature dependence of max. pressure for PN 16



temperature dependence of max. pressure for PN 40



Technical changes and errors reserved!