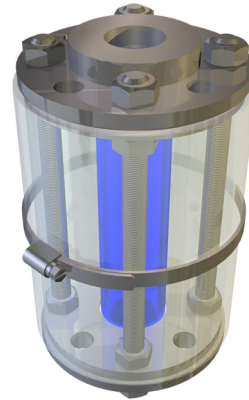


### Application:

Sight glass – Tubular type with flanges on both sides, to use in either horizontal or vertical pipe lines for optical control of liquids and gases.  
Flanges matching DIN 2632 / DIN 2633 (PN 10/16) up to DN 150, DIN 2632 (PN 10) above.



### Operating conditions:

flanges:	PN10 compatible (PN 16 to DN150)	
Pressure:	<b>DN</b>	<b>[bar]</b>
	15-65	10
	80	9
	100	7
	125-150	5
	200	4
	300	2
Temperature:	Max. 280°C	

higher pressures on request

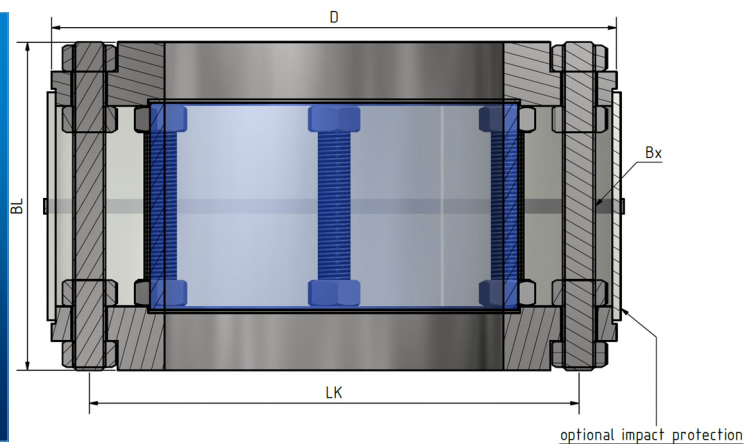
### Materials:

Flange:	P265GH / 1.0425 1.4571
Glass:	Borosilicate glass
Seal:	C4400 (280°C)
	Graphite (280°C)
	PTFE (200°C)
	NBR (80°C)
	Viton (200°C)
bolts	A4-70
Impact protection (Optional)	Plexiglass/PMMA

Other materials on request

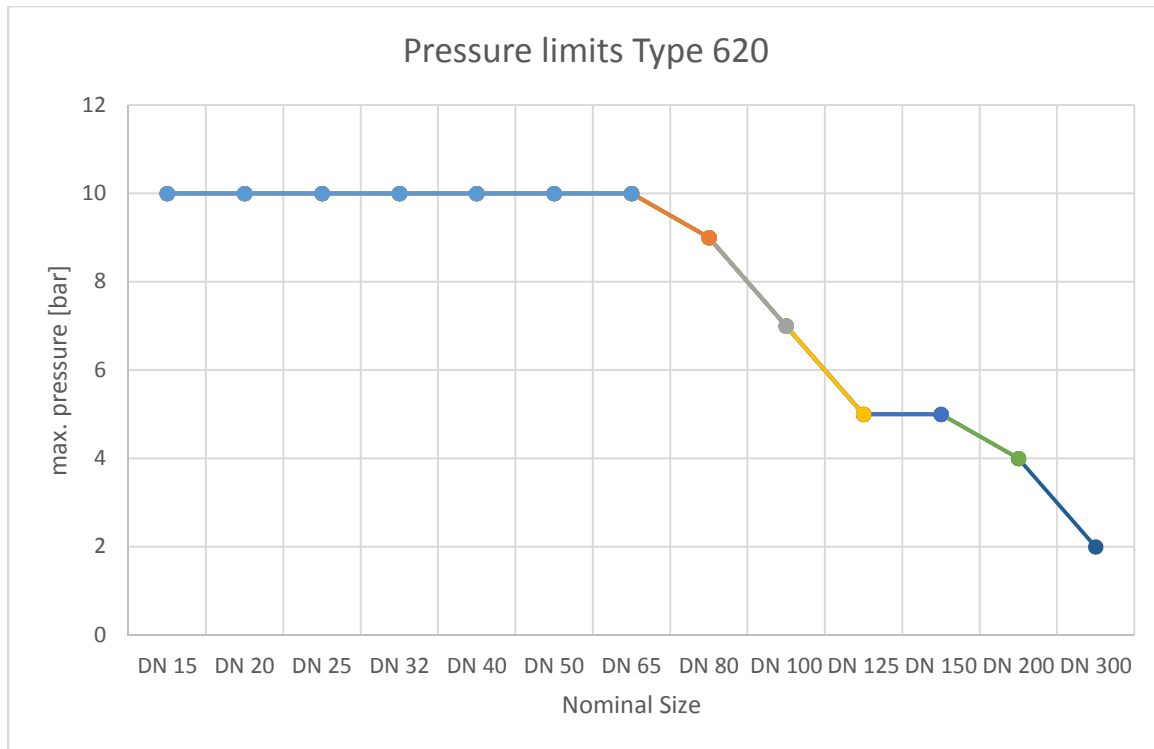
### Installation guideline:

Tubular Sight Glasses have to be installed without exposure to stresses (tension, vibration, pressure spikes) by the pipeline!



DN	15	20	25	32	40	50	65	80	100	125	150	200	300
D	95	105	115	140	150	165	185	200	220	250	285	345	460
BL	200	200	200	200	200	200	200	200	200	200	200	200	200
B	4	4	4	4	4	4	4	4	4	8	8	8	12
LK	65	75	85	100	110	125	145	160	180	210	240	295	410
kg	2.5	3.0	3.5	6.0	6.5	8.5	10.0	10.7	13.0	17.0	25.0	33.5	53.0

Technical changes and errors reserved!



### Higher Pressures:

In single cases, higher operating pressures can be possible. Please consult with us if higher pressures are desired.

### Product Code:

	DN	Flange	Seal	Impact protection	Inst. length	
11	620	Acc. To table	1: P265GH / 1.0425 2: 1.4571	1: PTFE 2: Viton 3: NBR 4: C4400 5: Silicone 6: EPDM 7: Graphite 8: Special	0: without 1: with	000: Standard (200 mm)

**ACI Type 620**  
 DN100  
 Flange 1.4571  
 Seal PTFE  
 Impact protection  
 Standard construction

Example: 11-620-100-2-1-1-000

Technical changes and errors reserved!