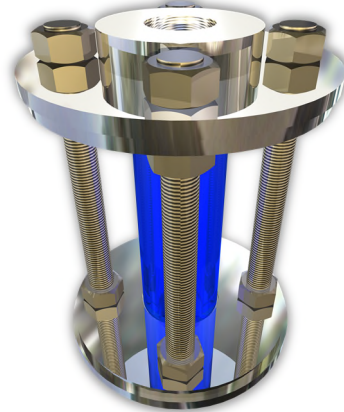


Application:

Tubular sight glass with threaded connection for installation in piping. Allows checking and observation of filling and flow.



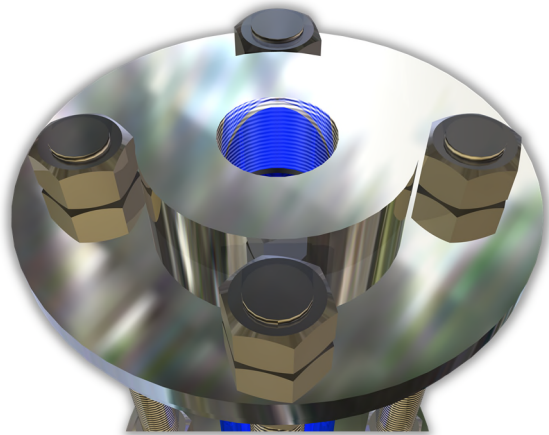
Operating conditions:

Thread:	G 3/8" bis 1"
Pressure:	16 Bar
Temperature:	Max. 200°C

Materials:

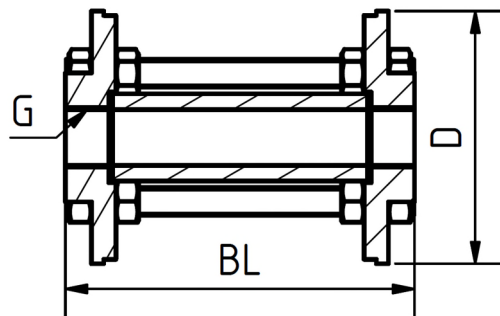
Flange:	P265GH / 1.0425 1.4571
Glass:	Borosilicate glass
Seal:	C4400 Graphite PTFE NBR Viton
bolts	A4-70
Impact protection (Optional)	Plexiglass

Other materials on request



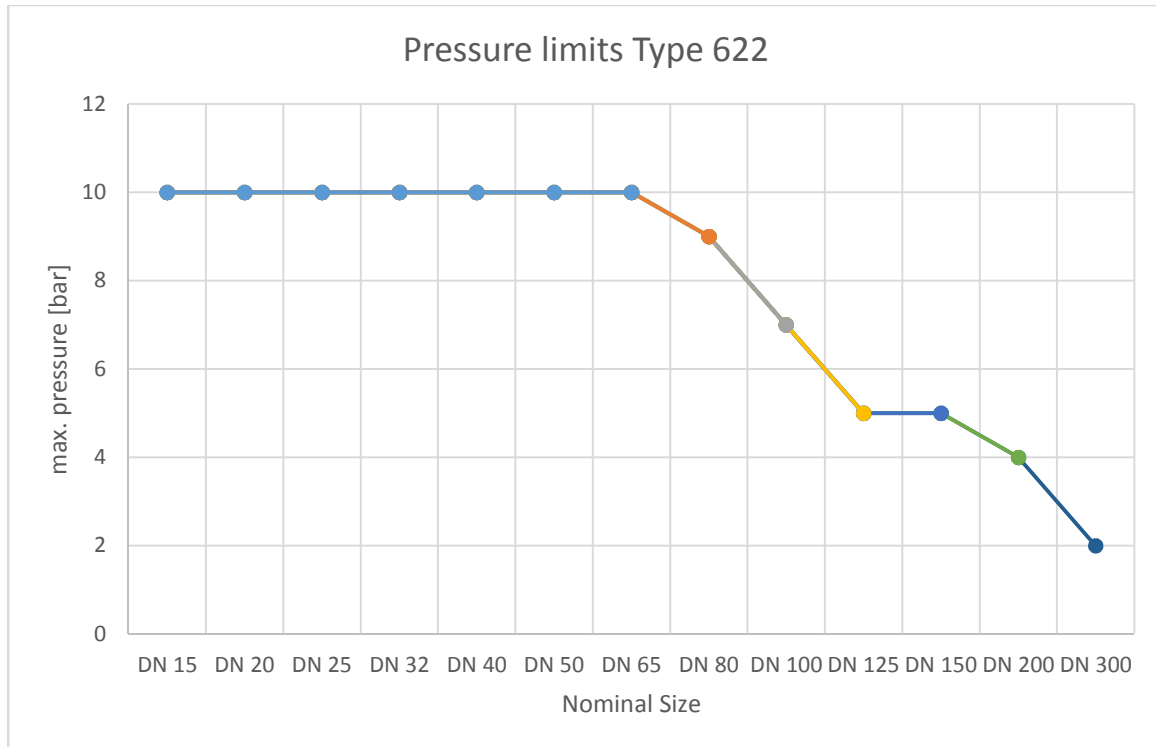
Installation guideline:

Avoid transfer of any forces (torsion, vibration, tension...) from the piping to the sight glass when installing!



G	3/8"	1/2"	7/8"	1"
D	95	105	115	140
BL	Nach Wunsch			
kg	2.5	3.0	3.5	6.0

Technical changes and errors reserved!



Product Code:

		G	Flange	Seal	Impact protection	Length
11	622	38: 3/8 12: 1/2 ...	1: P265GH / 1.0425 2: 1.4571	1: PTFE 2: Viton 3: NBR 4: C4400 5: Silicone 6: EPDM 7: Graphite 8: Special	0: no 1: yes	000: Standard (200 mm)

Example: **ACI Type 622**
1/2"
Flange 1.4571
Seal PTFE
Impact Protection
Standard construction

11-622-12-2-1-1-000

Technical changes and errors reserved!