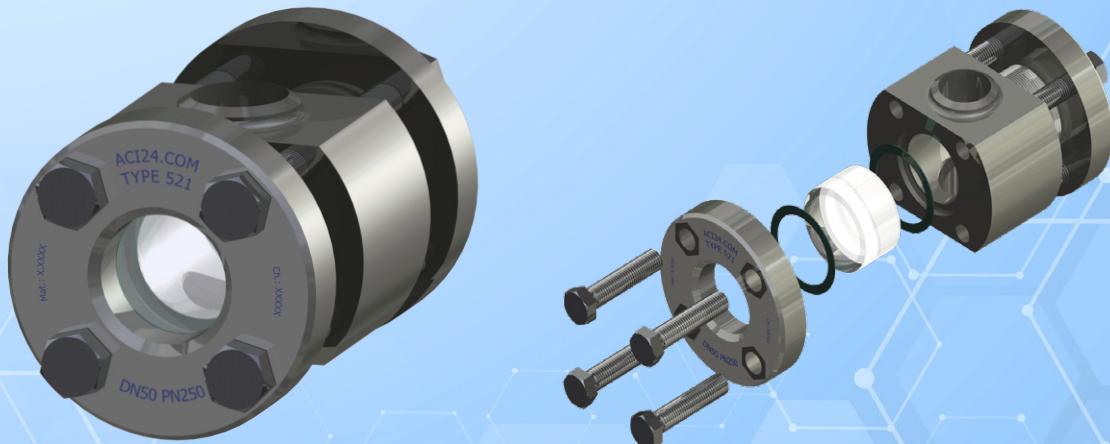


# High pressure sight glass PN 40 to PN 400

Flow sight glass with welding ends

# Type 521



### APPLICATION:

For observation of filling and flow in pipelines. This sight glass allows reliable monitoring of the function and performance of individual equipment as well as entire installations.

Type 521 Flow sight glasses feature direct welding into pipelines.

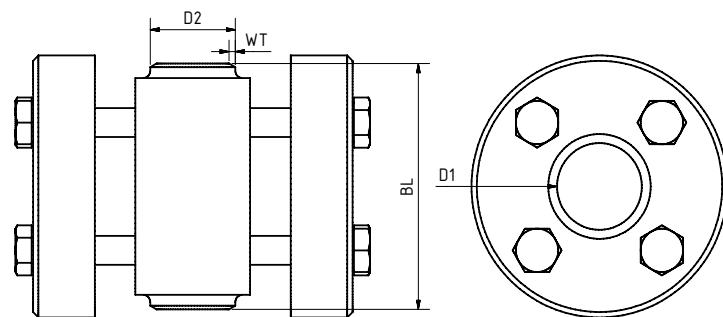
### INSTALLATION NOTE:

After the base body has been welded in, check whether the sealing surfaces have warped! If necessary, rework must be performed! For the welding process it is advisable to weld in the sight glass in the disassembled state or use low heat exposure. In case of non-compliance, the glasses can be damaged. Note the torques required for assembly!

**With welding ends  
( $\Delta P \leq 400$  bar)**

### Operating conditions:

Temperature: (depending on glass and gasket)	150°C 280 °C	
Pressure:	$\leq 40$ to $400^1$	Bar
<sup>1</sup> up to 1000 bar on request		



### Materials:

Body:	1.4571; 1.4539; 1.4404
Glass:	Borosilicate glass DIN 7080 Quartz glass Mica META® glass Sapphire glass
Gasket:	Graphite
Screws:	A4-70
Special materials on request	

DN	15	20	25	40	50	65	80	100	125	150	200
Overall length (BL) <sup>2</sup>	on request or special dimensions										
Wall thickness (WT)	matching the DN of the pipeline										
Vista (D1)	depending on pressure rating										
Special dimensions and other standards on request											



# High pressure sight glass PN 40 to PN 400

Flow sight glass with welding ends

## Type 521

### PRODUCTCODE:

Group	TYPE	DN of pipeline	PN	Body*	Glass	Gasket	Variant
11	521	1: 15 2: 20 3: 25 4: 40 5: 50 6: 65 7: 80 8: 100 9: 125 10: 150 11: 200 12: Special	1: 40 2: 63 3: 100 4: 160 5: 250 6: 320 7: 400 8: Special	1: 1.4571 2: 1.4541 3: 1.4404 4: 1.4539 8: Special	1: Borosilicate glass (Boro) DIN 7080 2: Soda lime glass 3: Quartz glass 4: Boro + Mica 5: META® glass 8: Sapphire glass	7: Graphite 8: Special	Assigned by ACI if required

**INFO:** Unless otherwise stated, the factory standard highlighted is supplied.

\* Cover flanges made of body material or according to quotation / order confirmation

### SPECIAL DESIGNS/OPTIONS:

- a) Double glazing
- b) Mica protection
- c) FEP protective screen
- d) LED or halogen lights, ATEX-certified, EX
- e) Additional options on request

### EXAMPLE:

**11-521-10-4-1-1-7-00 equals the product code:**

ACI Type 521  
Pipe DN150  
PN160  
body 1.4571  
borosilicate glass  
gasket graphite  
standard version

### RECOMMENDATION:

For aggressive media or steam, mica discs should be used to protect the glass.

Contact in Germany:  
ACI Industriearmaturen GmbH  
Tel. +49 (0) 2403 748 850  
info@aci24.com • www.aci24.com

Contact in Poland:  
Continental Trade Sp. z o.o.  
office@continentaltrade.com.pl  
http://continentaltrade.com.pl

20190909

Technical changes and errors reserved!