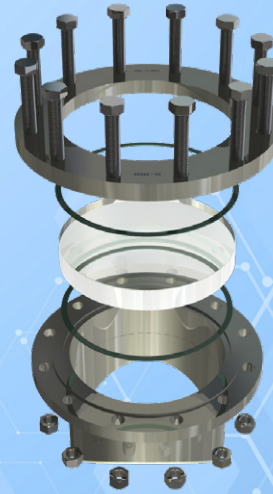
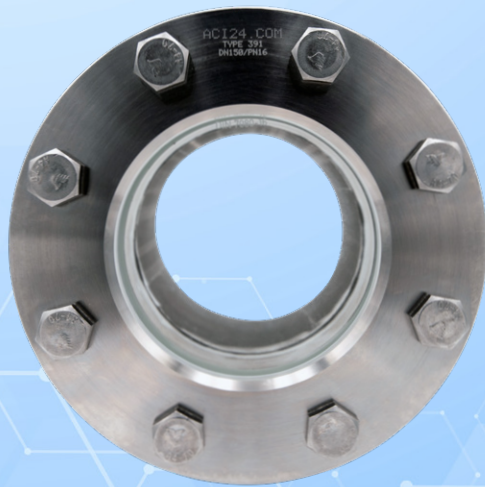


# Round sight glass fitting PN 16 - pipe adapter

For welding onto pipelines

## Type 391



### APPLICATION:

Sight glass flanges with weld-on socket are suitable for welding onto pipelines. Possible applications are wherever sight glasses are to be added to existing pipelines. Only an opening corresponding to the desired sight glass diameter has to be created.

### INSTALLATION NOTE:

After welding the base flange onto/into the pressure vessel, the sealing surface must be checked for deformations! Reworking may be required! Observe the listed torque values for remounting the cover flange! The pressure rating does not consider the base flange. This will have to be audited together with the pressure vessel according to AD 2000 instructions B9 or equivalent standard!

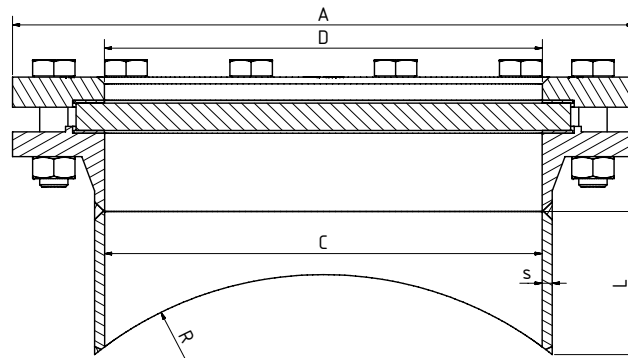
**With pipe adapter for  
welding onto an existing  
pipeline  
( $\Delta P \leq 16$  bar)**

### Operating conditions:

Temperature: (depending on glass and gasket)	150 °C 280 °C 400 °C <sup>1</sup>
--	---

Pressure:	≤ 16	Bar
-----------	------	-----

<sup>1</sup> High temperature on request



### Materials:

Flange:	1.4571, 1.4404
Glass:	Borosilicate glass DIN 7080 Soda lime glass DIN 8902 Quartz glass
Gasket:	PTFE; FKM; NBR; C4400; Silicone; EPDM; Graphite
Screws:	A4-70
Special materials on request	

DN	100	125	150	200	300	350
A	220	250	285	340	460	520
C	114,3	139,7	168,3	219,1	232,9	355,6
s	3,6	4	4,5	5,9	7,1	8
D	107	131,7	160	207	310	340
L	Depending on main pipe (The sight glass should be at least one nominal diameter smaller than the pipeline).					
R						
Kg						
<b>Specify pipe dimensions (R) and distance dimension (L) on request.</b>						



# Round sight glass fitting PN 16 - pipe adapter

For welding onto pipelines

## Type 391

### PRODUCTCODE:

Group	TYPE	DN	Main pipe	PN	B. flange*	Glass	Gasket	Variant
11	391	1: 100 2: 125 3: 150 4: 200 5: 250 5: 300 7: 350 8: 400 9: Special	1: 125 2: 150 3: 200 4: 250 5: 300 6: 350 7: 400 8: 500 9: Special	1: 16 5: Special	1: 1.4404 <b>2: 1.4571</b> 5: Duplex 6: Special	<b>1: Borosilicate glass (Boro) DIN 7080</b> 2: Soda lime glass (SLG) DIN 8902 5: Quartz glass 6: Boro DIN 7080 with PTFE wiper 7: Boro DIN 7080 with silicone wiper 8: SLG DIN 8902 with PTFE wiper 9: SLG DIN 8902 with silicone wiper	1: PTFE 2: FKM 3: NBR <b>4: C4400</b> 5: Silicone 6: EPDM 7: Graphite 8: Special	Assigned by ACI if required

**INFO:** Unless otherwise stated, the factory standard highlighted is supplied.

\*Cover flange according to quotation / order confirmation.

### SPECIAL DESIGNS/OPTIONS:

- a) Wiper SWI PTFE or silicone Wiper blade (max. 6 bar)
- b) LED or halogen lights, ATEX-certified, EX
- (c) FEP protective screen
- d) Further options on request

### EXAMPLE:

**11-391-1-8-1-2-1-1-0** equals the product code:

ACI Type 391  
DN100 sight glass  
DN500 main pipe  
PN16  
Base flange 1.4571  
Borosilicate glass  
gasket PTFE  
standard version



### ATTENTION!

The pressure-temperature limits according to DIN EN 1092-1 apply!

Our tool of the same name is available on our website for this purpose.  
([www.ACI24.com](http://www.ACI24.com), in the category Service, Tools)



### RECOMMENDATION:

For aggressive media or steam, mica discs should be used to protect the glass.

Contact in Germany:  
ACI Industriearmaturen GmbH  
Tel. +49 (0) 2403 748 850  
[info@aci24.com](mailto:info@aci24.com) • [www.aci24.com](http://www.aci24.com)

Contact in Poland:  
Continental Trade Sp. z o.o.  
[office@continentaltrade.com.pl](mailto:office@continentaltrade.com.pl)  
<http://continentaltrade.com.pl>

20190917

Technical changes and errors reserved!