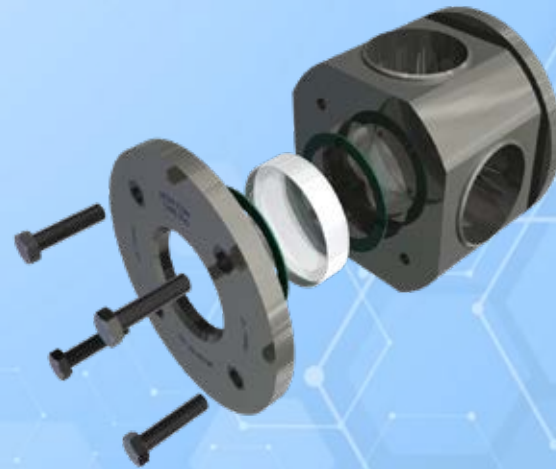
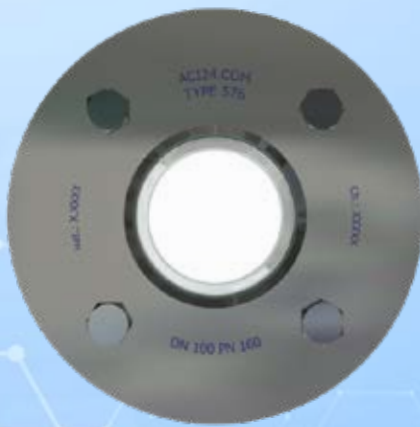




# High pressure sight glass PN 40 to PN 400

Sight glass in angle form with welding ends

# Type 576



### APPLICATION:

For observation of filling and flow in pipelines. This sight glass allows reliable monitoring of the function and performance of individual equipment as well as entire installations.

Type 576 Angle flow sight glasses are suitable for direct welding into the pipeline. The sight glasses are supplied pre-assembled and ready for installation.

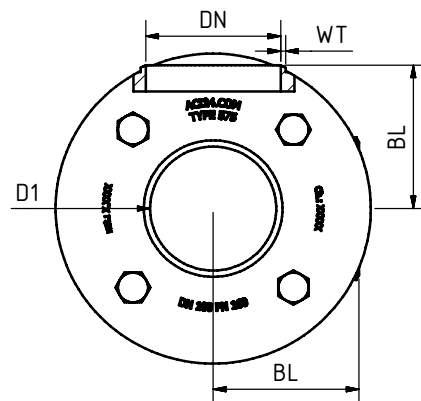
### INSTALLATION NOTE:

After the base body has been welded in, check whether the sealing surfaces have warped! If necessary, rework must be performed! For the welding process it is advisable to weld in the sight glass in the disassembled state or use low heat exposure. In case of non-compliance, the glasses can be damaged. Note the torques required for assembly!

Angle form with  
welding ends  
( $\Delta P \leq 400$  bar)

### Operating conditions:

Temperature: (depending on glass and gasket)	150°C 280 °C	
Pressure:	≤ 400	Bar
<sup>1</sup> up to 1000 bar on request		



### Materials:

Body:	1.4571; 1.4539; 1.4404
Glass:	Borosilicate glass DIN 7080 quartz glass mica META® glass sapphire glass
Gasket:	Graphite
Screws:	A4-70
Special materials on request	

DN	15	20	25	40	50	65	80	100	125	150	200
overall length (BL)	on request or special dimensions										
wall thickness (WT)	matching DN of the pipeline										
vista (D1)	on request or special dimensions										
Special dimensions and other standards on request											



# High pressure sight glass PN 40 to PN 400

Sight glass in angle form with flange connections

# Type 576

## PRODUCTCODE:

Group	TYPE	DN	PN	Body*	Glass	Gasket	Variant
11	576	1: 15 2: 20 3: 25 4: 40 5: 50 6: 65 7: 80 8: 100 9: 125 10: 150 11: 200 12: Special	1: 40 2: 63 3: 100 4: 160 5: 250 6: 320 7: 400 8: Special	1: <b>1.4571</b> 2: 1.4541 3: 1.4404 4: 1.4539 8: Special	1: <b>Borosilicate glass (Boro) DIN 7080</b> 2: Soda lime glass 3: Quartz glass 4: Boro + Mica 5: META® glass 8: Sapphire	7: Graphite 8: Special	Assigned by ACI if required

**INFO:** Unless otherwise stated, the factory standard highlighted is supplied.

\* Cover flanges made of body material or according to quotation / order confirmation

### SPECIAL DESIGNS/OPTIONS:

- a) double glazing
- b) Light version PN 10 to 40 (Type 571)
- b) Mica protection
- c) FEP protective screen
- d) LED or halogen lights, ATEX-certified, EX
- e) Additional options on request

### EXAMPLE:

**11-576-10-4-1-1-7-00** equals the product code  
 ACI Type 576  
 DN150  
 PN160  
 body 1.4571  
 borosilicate glass  
 gasket graphite  
 standard version

### RECOMMENDATION:

For aggressive media or steam, mica discs should be used to protect the glass.

Kontakt w Niemczech  
 ACI Industriearmaturen GmbH  
 Tel. +49 (0) 2403 748 850  
 info@aci24.com • www.aci24.com

Kontakt w Polsce:  
 Continental Trade Sp. z o.o.  
 tel. +48 22 670 11 81  
 office@continentaltrade.com.pl  
 http://continentaltrade.com.pl

20191108

Technical changes and errors reserved!